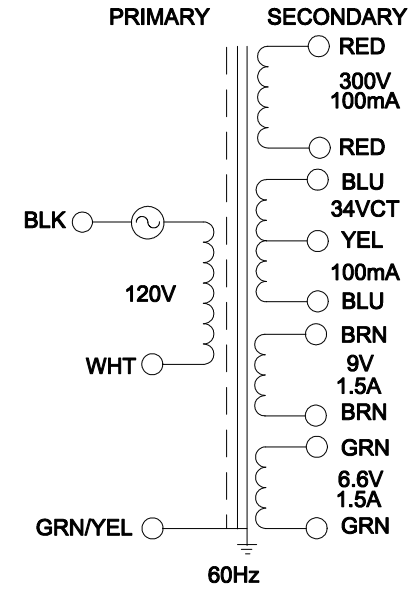
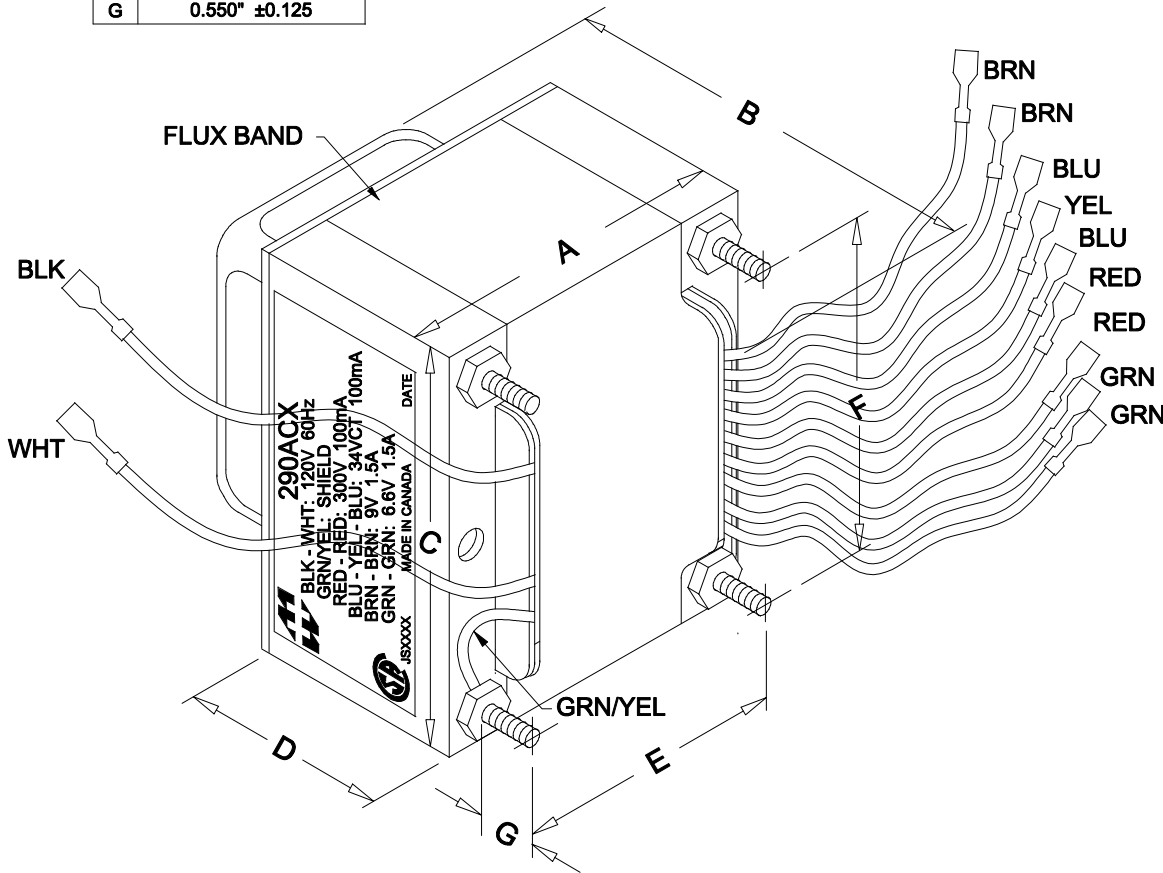


DIMENSIONS:	
A	2.500" ±0.063
B	2.900" ±0.125
C	3.000" ±0.063
D	1.250" ±0.063
E	2.000" ±0.063
F	2.500" ±0.063
G	0.550" ±0.125



ELECTRICAL DATA:		
TESTS	CONDITIONS	ACCEPTANCE CRITERIA
lex	@ 120V, 60Hz, BLK - WHT	150mA Max.
Sec. N.L.V	@ 120V, 60Hz, BLK - WHT	
	RED - RED =	313.6V ±2%
	BLU - YEL = YEL - BLU =	18.00V ±2%
	BLU - BLU =	36.00V ±2%
	BRN - BRN =	9.545V ±2%
	GRN - GRN =	7.091V ±2%
DCR	@ 20°C, BLK - WHT =	5.052 Ω ±20%
	@ 20°C, RED - RED =	61.69 Ω ±20%
	@ 20°C, BLU - BLU =	7.614 Ω ±20%
	@ 20°C, BRN - BRN =	0.206 Ω ±20%
	@ 20°C, GRN - GRN =	0.159 Ω ±20%
HIPOT	PRIMARY - SECONDARY	2000V, 60Hz, 1 SEC

NOTE: ALL LEADS TERMINATED WITH FAST-ON TERMINALS ARE 12" MIN. OUT.

REV.#	REVISION	DATE
0	RELEASED.	C.I. 10/30/17

<b>HAMMOND MANUFACTURING™</b>	<b>ELECTRONIC DIVISION</b> 52 RANKIN PLACE, WATERLOO, ONTARIO, N2J 3Z5		PH # (519) 886-6181 FAX # (519) 886-9540
	DWG. BY: C. ILIE DATE: 10/30/17	CHK'D BY: APP'D. BY: DIMENSIONS: IN(X) MM( )	TITLE: POWER TRANSFORMER