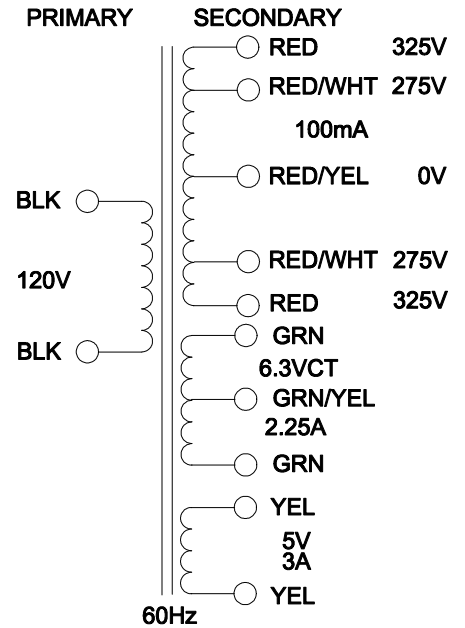
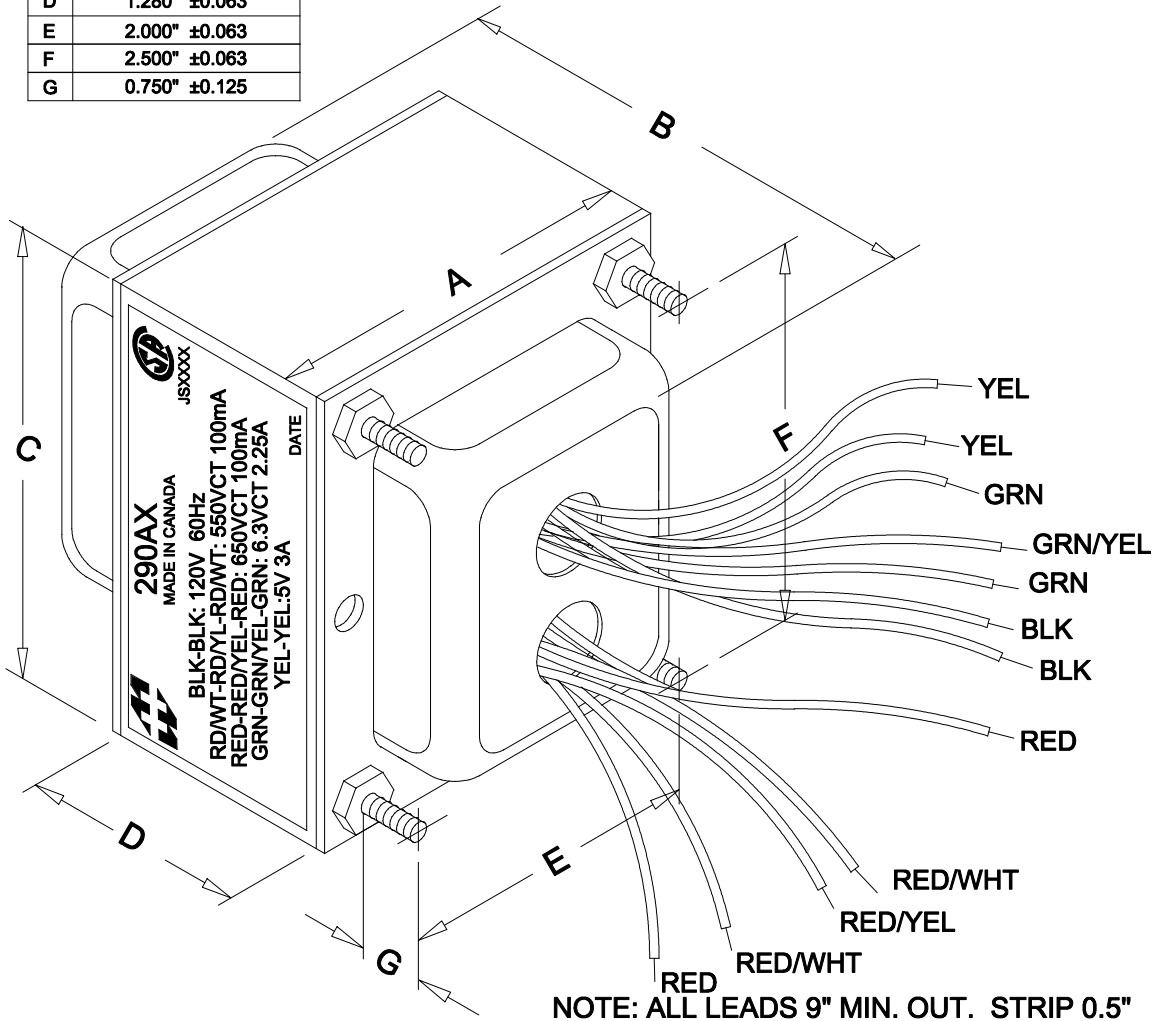


DIMENSIONS:	
A	2.500" ±0.063
B	2.817" ±0.125
C	3.000" ±0.063
D	1.280" ±0.063
E	2.000" ±0.063
F	2.500" ±0.063
G	0.750" ±0.125



ELECTRICAL DATA:		
TESTS	CONDITIONS	ACCEPTANCE CRITERIA
Iex	@ 120V, 60Hz, BLK - BLK	184mA Max.
Sec. N.L.V	@ 120V, 60Hz, BLK - BLK	
	RED - RED/YEL = RED/YEL =	351.2V ±2%
	RED - RED =	702.3V ±2%
	RD/WT - RD/YL = RD/YL - RD/WT =	297.3V ±2%
	RED/WHT - RED/WHT =	594.6V ±2%
	GRN - GRN/YEL = GRN/YEL - GRN =	3.420V ±2%
	GRN - GRN =	6.841V ±2%
	YEL - YEL =	5.416V ±2%
DCR	@ 20°C, BLK - BLK =	3.927 Ω ±20%
	@ 20°C, RED - RED =	277.1 Ω ±20%
	@ 20°C, GRN - GRN =	0.090 Ω ±20%
	@ 20°C, YEL - YEL =	0.075 Ω ±20%
HIPOT	PRIMARY - SECONDARY	3000V, 60Hz, 1 SEC

REV.#	REVISION	DATE
0	RELEASED.	C.I. 05/15/18

HAMMOND ELECTRONIC DIVISION
MANUFACTURING
 52 RANKIN PLACE, WATERLOO, ONTARIO, N2J 3Z5
 PH # (519) 886-6181
 FAX # (519) 886-9540

DWG. BY: C. ILIE	CHK'D BY:	TITLE: POWER TRANSFORMER	DWG. NO. 290AX
DATE: 05/15/18	APP'D. BY:		
	DIMENSIONS: IN(X) MM()		