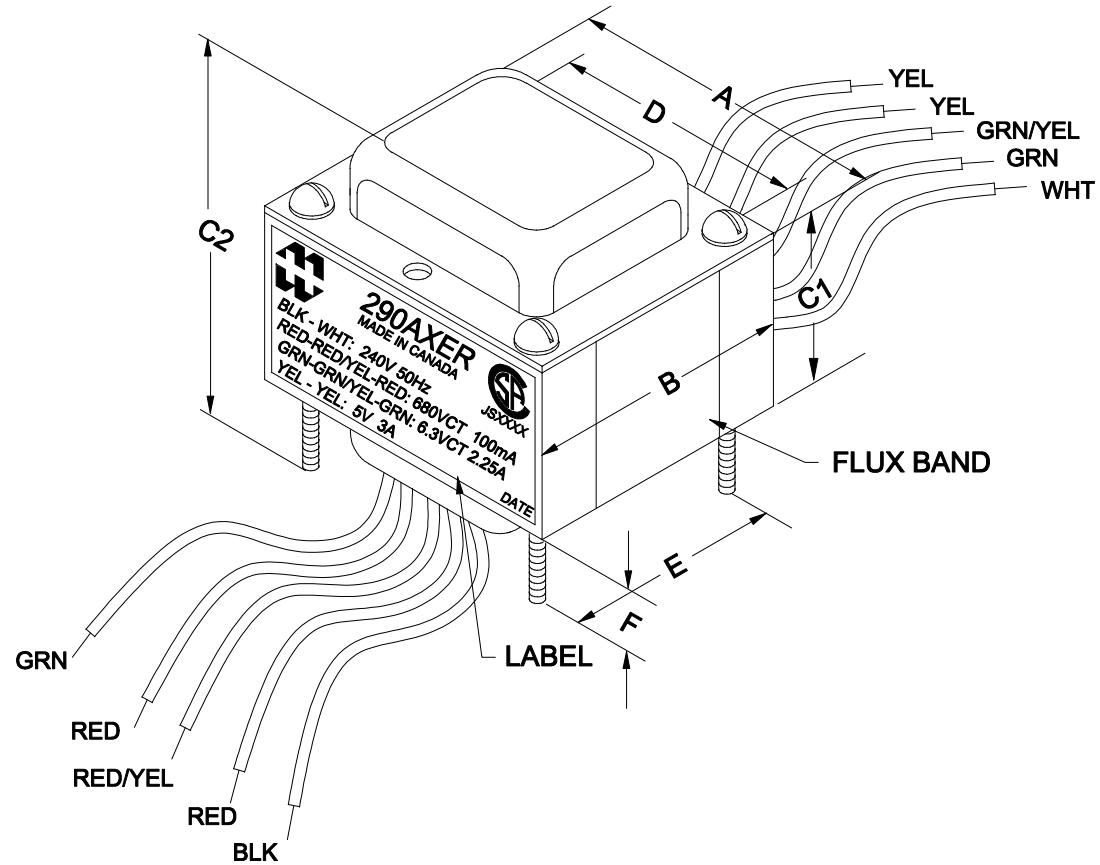
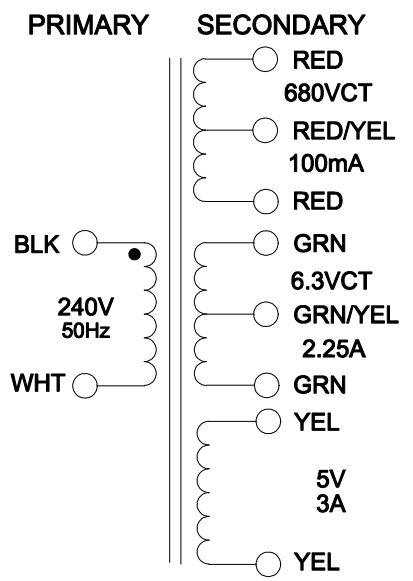


DIMENSIONS:	
A	3.000" ±0.063
B	2.500" ±0.063
C1	1.530" ±0.063
C2	3.156" ±0.125
D	2.500" ±0.063
E	2.000" ±0.063
F	0.750" ±0.125



ELECTRICAL DATA:		
TESTS	CONDITIONS	ACCEPTANCE CRITERIA
lex	@ 240V, 50Hz, BLK - WHT	177.6mA Max.
Sec. N.L.V	@ 240V, 50Hz, BLK - WHT	
	RED - RED/YEL = RED/YEL - RED =	364.7V ±2%
	RED - RED =	729.4V ±2%
	GRN - GRN/YEL = GRN/YEL - GRN =	3.361V ±2%
	GRN - GRN =	6.722V ±2%
	YEL - YEL =	5.378V ±2%
DCR	@ 20°C, BLK - WHT =	14.28 Ω ±20%
	@ 20°C, RED - RED =	252.1 Ω ±20%
	@ 20°C, GRN - GRN =	0.097 Ω ±20%
	@ 20°C, YEL - YEL =	0.064 Ω ±20%
HIPOT	PRIMARY - SECONDARY	3000V, 60Hz, 1 SEC

NOTE: ALL LEADS 9.0" MIN. OUT. STRIP 0.5"

REV.#	REVISION	DATE	HAMMOND ELECTRONIC DIVISION		
0	PRELIMINARY.	C.I. 02/23/21	52 RANKIN PLACE, WATERLOO, ONTARIO, N2J 3Z5		
			PH # (519) 886-6181 FAX # (519) 886-9540		
			DWG. BY: C. ILIE	CHK'D BY:	TITLE: POWER TRANSFORMER
			DATE: 02/23/21	APP'D. BY:	DWG. NO. 290AXER
				DIMENSIONS: IN(X) MM()	