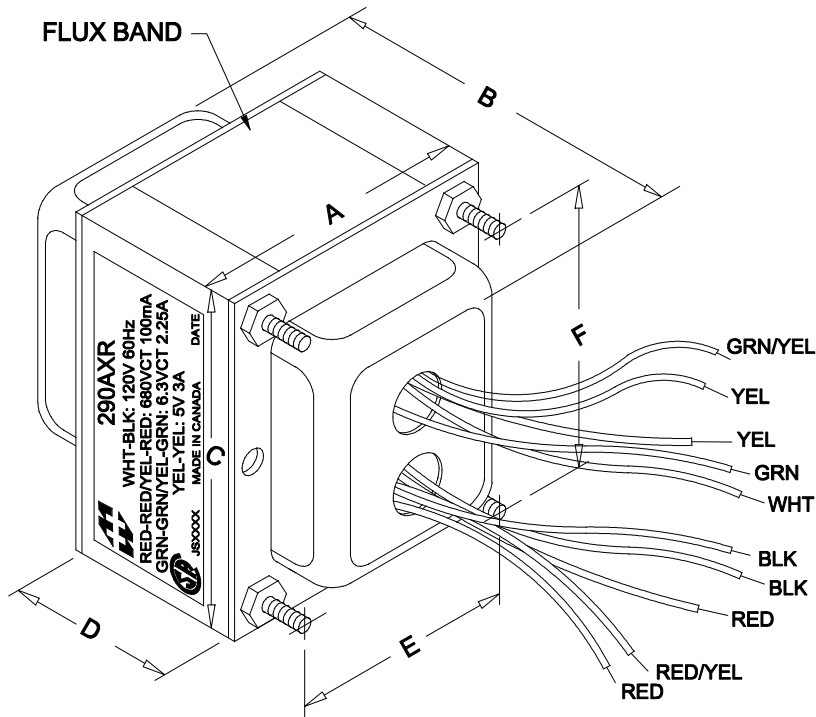


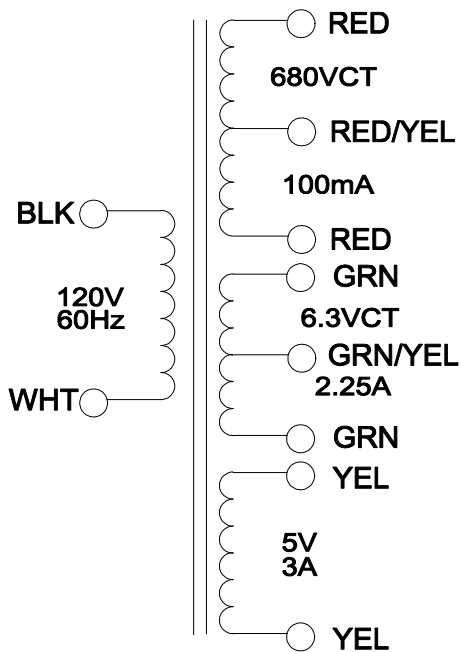
290AXR



DIMENSIONS:	
A	2.500" ±0.063
B	2.817" ±0.063
C	3.000" ±0.063
D	1.25" ±0.063
E	2.000" ±0.063
F	2.500" ±0.063

NOTE: ALL LEADS 9" OUT MIN., STRIPPED .5"

PRIMARY SECONDARY



Designed for: Fender 65 re-issue Princeton Reverb

ELECTRICAL DATA:	
Turns ratio:	1 : 6.21 (RED - RED)
Exciting Current	@ 120V, 60Hz, BLK - BLK = 175mA Max.
DCR	@ 20C, BLK - BLK = 3.900 Ω ±20%
	@ 20C, RED - RED = 366.2 Ω ±20%
	@ 20C, GRN - GRN = 0.141 Ω ±20%
	@ 20C, YEL - YEL = 0.088 Ω ±20%
Pri. Voltage	120V 60Hz
Sec. Voltage (RMS)	680VCT @ 100mA / 6.3VCT @ 2.25A / 5V @ 3A
No Load Voltage	745.7VCT / 6.85VCT / 5.42V

HAMMOND ELECTRONICS
 52 RANKIN PLACE,
 WATERLOO, ONTARIO, N2L 3Z5.
 PHONE (519) 886-6181
 FAX # (519) 886-9540

TITLE		POWER TRANSFORMER	
		DR BY	D.Hutt
		DATE	09/23/20
NO	DATE	REVISION	DIM IN(X)MM()

290AXR