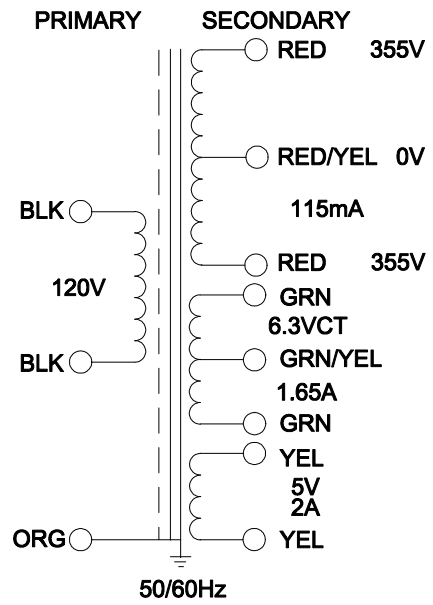
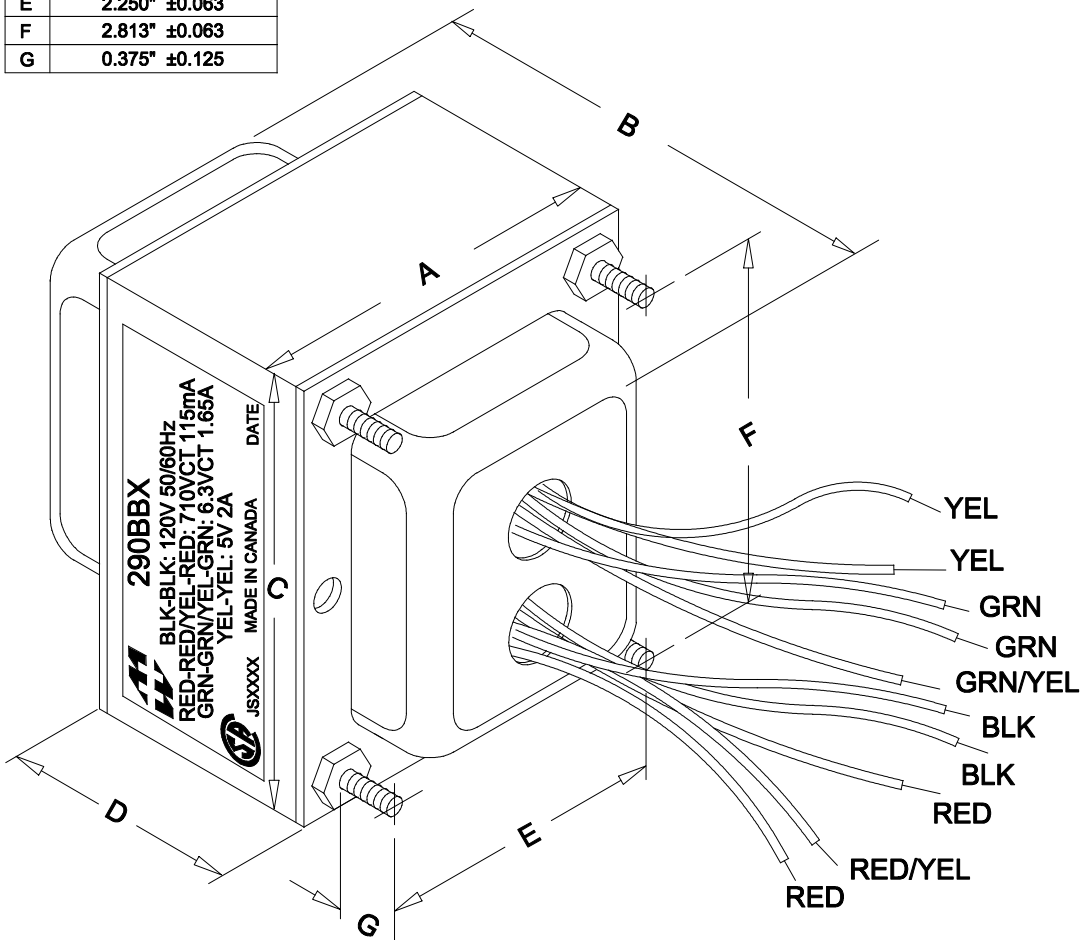


| DIMENSIONS: | |
|-------------|---------------|
| A | 2.813" ±0.063 |
| B | 3.341" ±0.125 |
| C | 3.375" ±0.063 |
| D | 1.403" ±0.063 |
| E | 2.250" ±0.063 |
| F | 2.813" ±0.063 |
| G | 0.375" ±0.125 |



NOTE: ALL LEADS 14" MIN. OUT. STRIP 0.5"

| ELECTRICAL DATA: | | | |
|------------------|---------------------------------|---------------------|------|
| TESTS | CONDITIONS | ACCEPTANCE CRITERIA | |
| lex | @ 120V, 60Hz, BLK - BLK | 232mA | Max. |
| Sec. N.L.V | @ 120V, 60Hz, BLK - BLK | | |
| | RED - RED/YEL = RED/YEL - RED = | 379.9V | ±2% |
| | RED - RED = | 759.9V | ±2% |
| | GRN - GRN/YEL = GRN/YEL - GRN = | 3.380V | ±2% |
| | GRN - GRN = | 6.761V | ±2% |
| | YEL - YEL = | 5.408V | ±2% |
| DCR | @ 20°C, BLK - BLK = | 3.484 Ω | ±20% |
| | @ 20°C, RED - RED = | 204.4 Ω | ±20% |
| | @ 20°C, GRN - GRN = | 0.121 Ω | ±20% |
| | @ 20°C, YEL - YEL = | 0.101 Ω | ±20% |
| HIPOT | PRIMARY - SECONDARY | 3000V, 60Hz, 1 SEC | |

| REV.# | REVISION | DATE | HAMMOND MANUFACTURING™ | | ELECTRONIC DIVISION | |
|-------|-----------|---------------|---|-------------------------|--|-----------------|
| 0 | RELEASED. | C.I. 07/26/17 | 52 RANKIN PLACE, WATERLOO, ONTARIO, N2J 3Z5 | | PH # (519) 886-6181 FAX # (519) 886-9540 | |
| | | | DWG. BY: C. ILIE | CHK'D BY: | TITLE: POWER TRANSFORMER | DWG. NO. 290BBX |
| | | | DATE: 07/26/17 | APP'D. BY: | | |
| | | | | DIMENSIONS: IN(X) MM() | | |