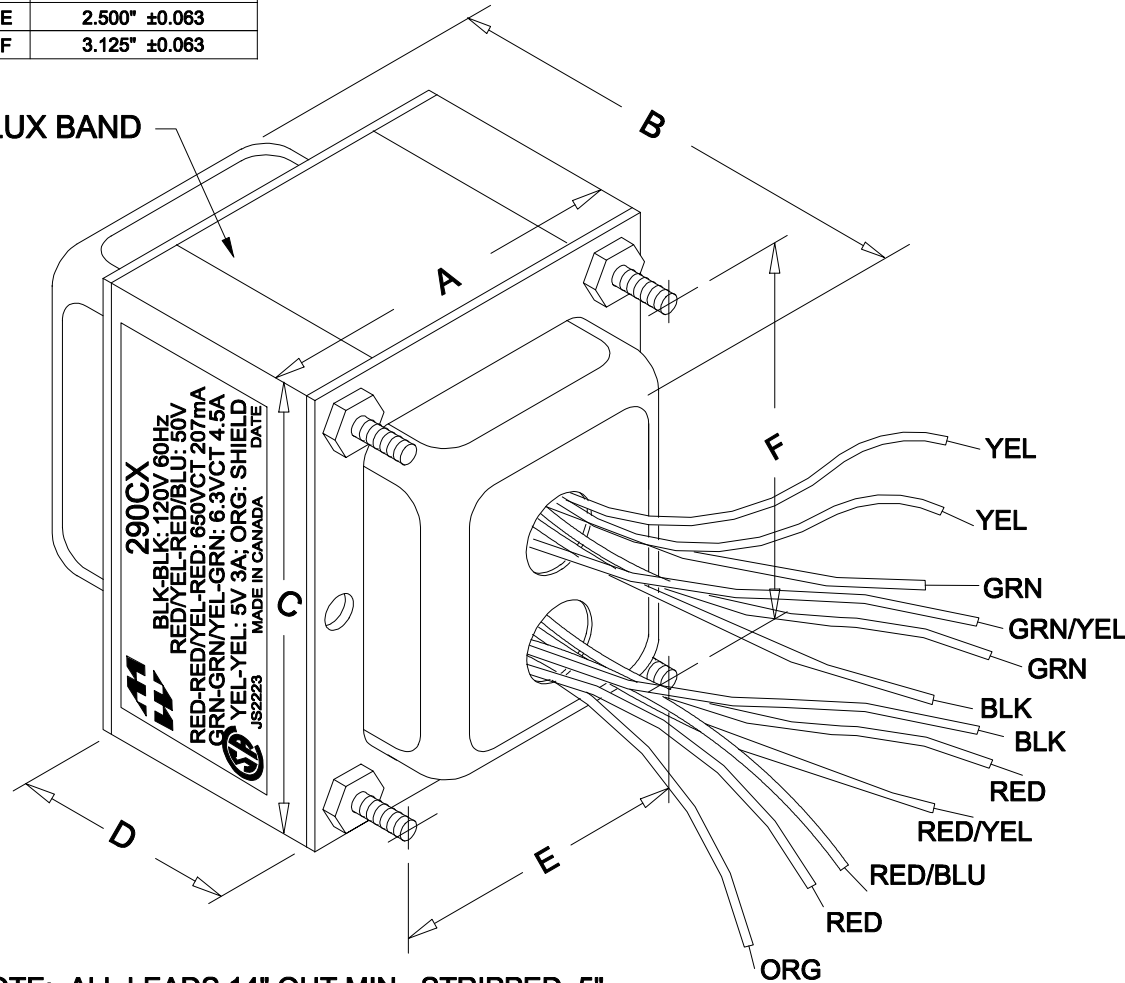
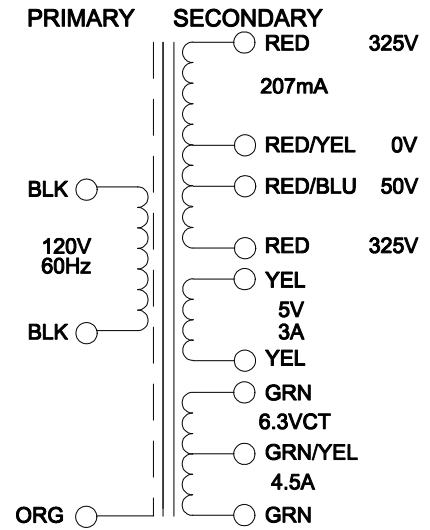


DIMENSIONS:	
A	3.125" ±0.063
B	4.063" ±0.125
C	3.750" ±0.063
D	1.975" ±0.063
E	2.500" ±0.063
F	3.125" ±0.063

FLUX BAND



NOTE: ALL LEADS 14" OUT MIN., STRIPPED .5"



ELECTRICAL DATA:			
TESTS	CONDITIONS	ACCEPTANCE CRITERIA	
Iex	@ 120V, 60Hz, BLK - BLK	258mA	Max.
Sec. N.L.V	@ 120V, 60Hz, BLK - BLK		
	RED - RED/YEL = RED/YEL - RED =	357.6V	±2%
	RED/YEL - RED/BLU =	53.01V	±2%
	RED - RED =	714.2V	±2%
	YEL - YEL =	5.301V	±2%
	GRN - GRN/YEL = GRN/YEL - GRN =	3.373V	±2%
	GRN - GRN =	6.747V	±2%
DCR	@ 20°C, BLK - BLK =	1.539 Ω	±20%
	@ 20°C, RED - RED =	83.99 Ω	±20%
	@ 20°C, YEL - YEL =	0.042 Ω	±20%
	@ 20°C, GRN - GRN =	0.034 Ω	±20%
HIPOT	PRIMARY - SECONDARY	2500V, 60Hz, 1 SEC	

REV.#	REVISION	DATE
0	RELEASED.	I.P. 07/04/08
1	6.3VCT CURRENT WINDING WAS 4A	C.I. 06/14/19

HAMMOND MANUFACTURING ELECTRONIC DIVISION
 52 RANKIN PLACE, WATERLOO, ONTARIO, N2J 3Z5
 PH # (519) 886-6181 FAX # (519) 886-9540

DWG. BY: C. ILIE	CHK'D BY:	TITLE: POWER TRANSFORMER	DWG. NO. 290CX
DATE: 06/14/17	APP'D. BY:		
	DIMENSIONS: IN(X) MM()		