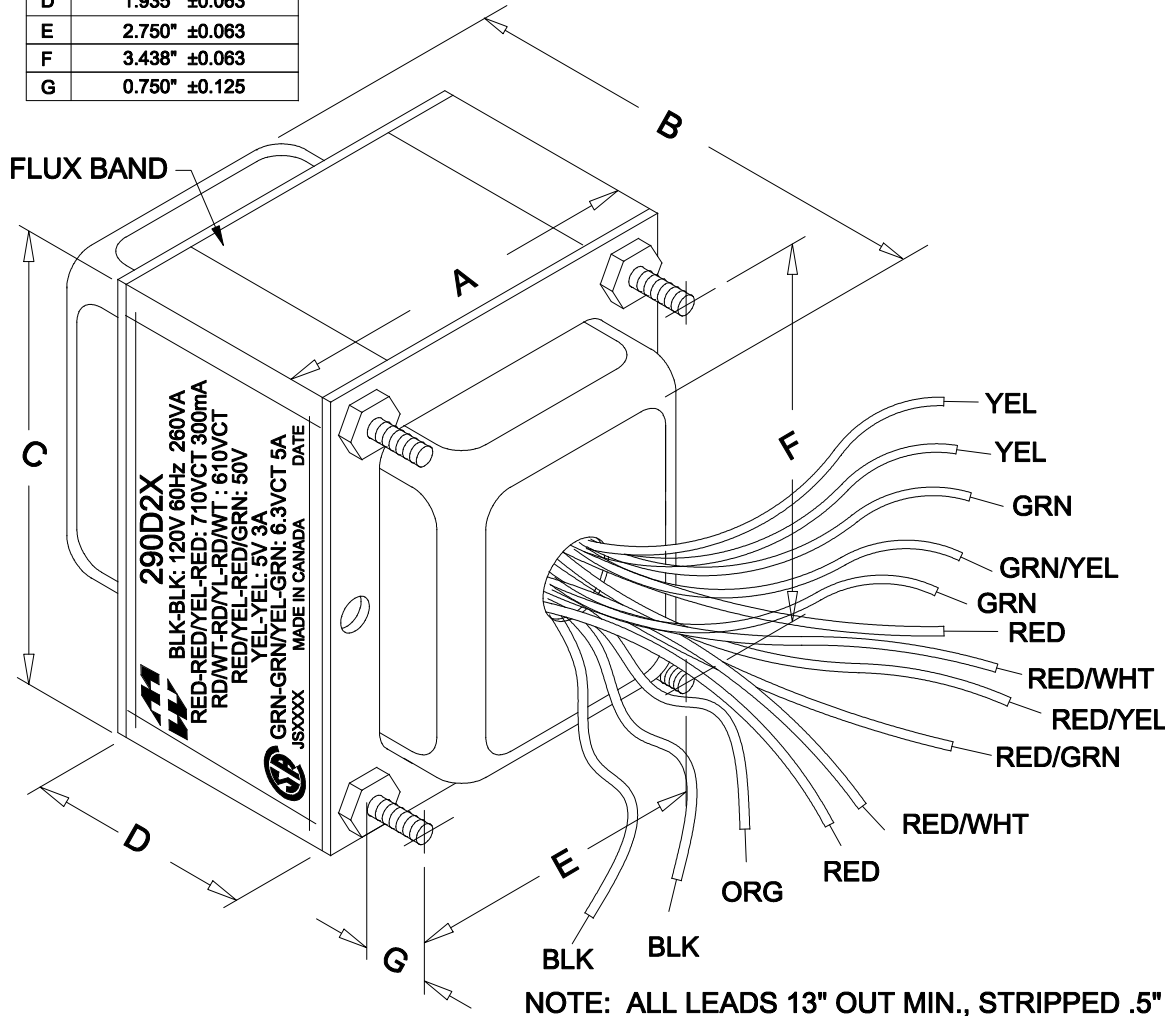
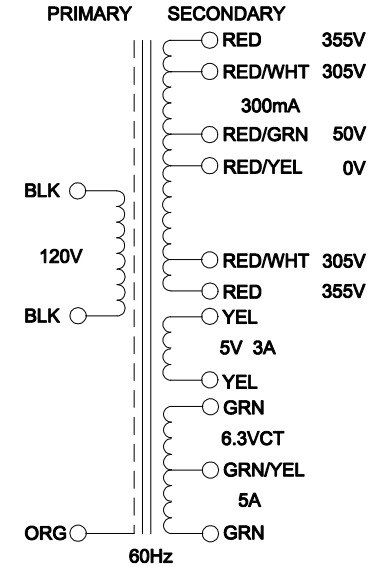


DIMENSIONS:	
A	3.438" ±0.063
B	4.063" ±0.125
C	4.125" ±0.063
D	1.935" ±0.063
E	2.750" ±0.063
F	3.438" ±0.063
G	0.750" ±0.125



NOTE: ALL LEADS 13" OUT MIN., STRIPPED .5"



ELECTRICAL DATA:		
TESTS	CONDITIONS	ACCEPTANCE CRITERIA
lex	@ 120V, 60Hz, BLK - BLK	400mA Max.
Sec. N.L.V	@ 120V, 60Hz, BLK - BLK	
	RED - RED/YEL = RED/YEL - RED =	371.0V ±2%
	RD/WT - RD/YL = RD/YL - RD/WT =	318.7V ±2%
	RED/GRN - RED/YEL =	52.29V ±2%
	RED - RED =	742.0V ±2%
	YEL - YEL =	5.505V ±2%
	GRN - GRN/YEL = GRN/YEL - GRN =	3.303V ±2%
	GRN - GRN =	6.606V ±2%
DCR	@ 20°C, BLK - BLK =	0.900 Ω ±20%
	@ 20°C, RED - RED =	52.32 Ω ±20%
	@ 20°C, RD/WT - RD/WT =	44.47 Ω ±20%
	@ 20°C, YEL - YEL =	0.041 Ω ±20%
	@ 20°C, GRN - GRN =	0.032 Ω ±20%
HIPOT	PRIMARY - SECONDARY	3000V, 60Hz, 1 SEC

REV.#	REVISION	DATE
0	RELEASED.	C.I. 03/13/19

HAMMOND
MANUFACTURING™

ELECTRONIC DIVISION
52 RANKIN PLACE,
WATERLOO, ONTARIO, N2J 3Z5

PH # (519) 886-6181
FAX # (519) 886-9540

DWG. BY: C. ILIE
DATE: 03/13/19

CHK'D BY:
APP'D. BY:
DIMENSIONS: IN(X) MM()

TITLE: POWER
TRANSFORMER

DWG. NO.
290D2X