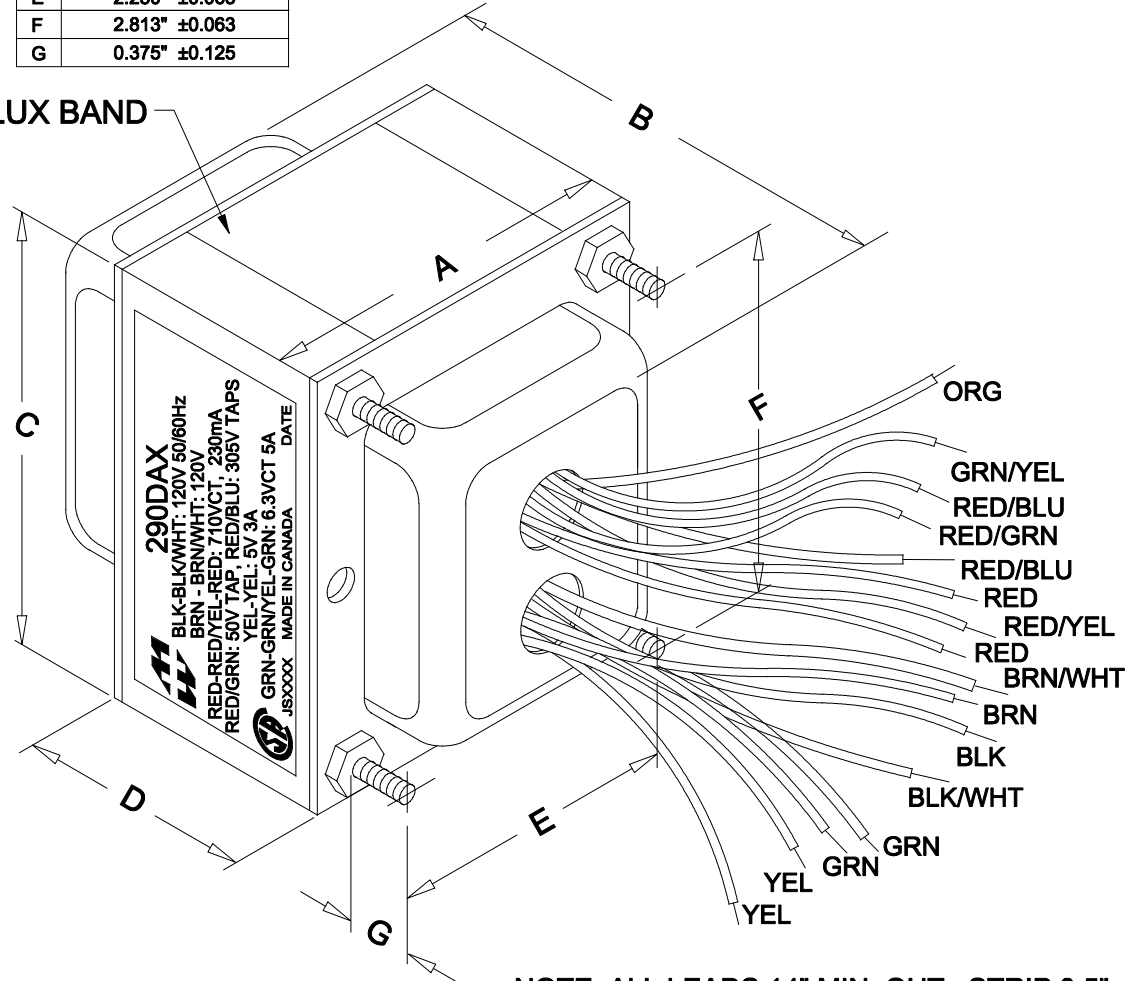
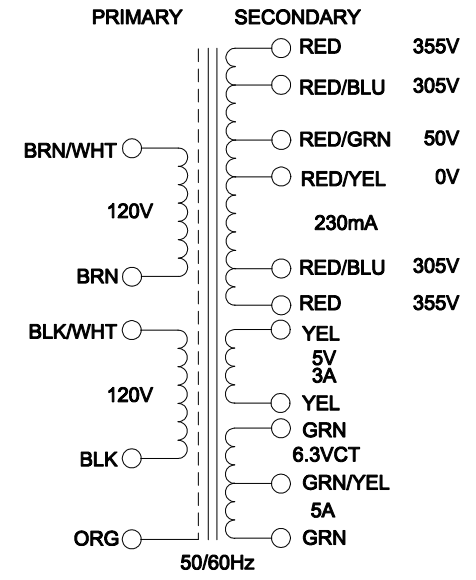


DIMENSIONS:	
A	2.813" ±0.063
B	3.341" ±0.125
C	3.375" ±0.063
D	1.403" ±0.063
E	2.250" ±0.063
F	2.813" ±0.063
G	0.375" ±0.125

FLUX BAND



290DAX
 BLK-BLK/WHT: 120V 50/60Hz
 BRN - BRN/WHT: 120V
 RED-RED/YEL-RED: 7.10VCT, 230mA
 RED/GRN: 50V TAP, RED/BLU: 305V TAPS
 YEL-YEL: 5V 3A
 GRN-GRN/YEL-GRN: 6.3VCT 5A
 JSXXXXX MADE IN CANADA



NOTE: ALL LEADS 14" MIN. OUT. STRIP 0.5"

ELECTRICAL DATA:

TESTS	CONDITIONS	ACCEPTANCE CRITERIA	
Iex	@ 120V, 60Hz, BLK - BLK/WHT	263mA	Max.
Sec. N.L.V	@ 120V, 60Hz, BLK - BLK/WHT		
	BRN - BRN/WHT =	120.0V	±2%
	RED - RED/YEL = RED/YEL - RED =	374.5V	±2%
	RD/BL - RD/YL = RD/YL - RD/BL =	321.8V	±2%
	RED/GRN - RED/YEL =	52.74V	±2%
	RED - RED =	749.0V	±2%
	YEL - YEL =	5.323V	±2%
	GRN - GRN/YEL = GRN/YEL - GRN =	3.387V	±2%
	GRN - GRN =	6.774V	±2%
DCR	@ 20°C, BLK - BLK/WHT =	3.050 Ω	±20%
	@ 20°C, BRN - BRN/WHT =	3.302 Ω	±20%
	@ 20°C, RED - RED =	73.53 Ω	±20%
	@ 20°C, YEL - YEL =	0.056 Ω	±20%
	@ 20°C, GRN - GRN =	0.037 Ω	±20%
HIPOT	PRIMARY - SECONDARY	3000V, 60Hz, 1 SEC	

REV.#	REVISION	DATE
0	RELEASED.	C.I. 07/26/17

HAMMOND ELECTRONIC DIVISION
MANUFACTURING
 52 RANKIN PLACE, WATERLOO, ONTARIO, N2J 3Z5
 PH # (519) 886-6181 FAX # (519) 886-9540

DWG. BY: C. ILIE CHK'D BY:
 DATE: 07/26/17 APP'D. BY:
 DIMENSIONS: IN(X) MM()

TITLE: **POWER TRANSFORMER** DWG. NO. **290DAX**