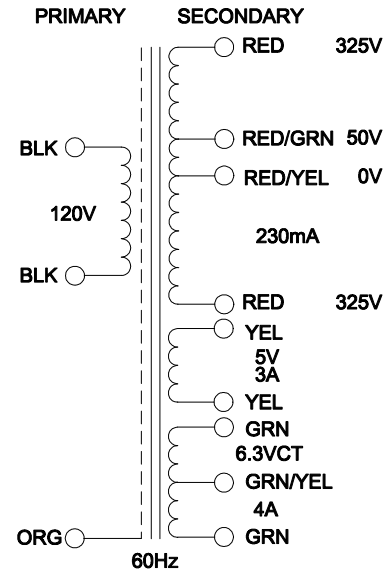
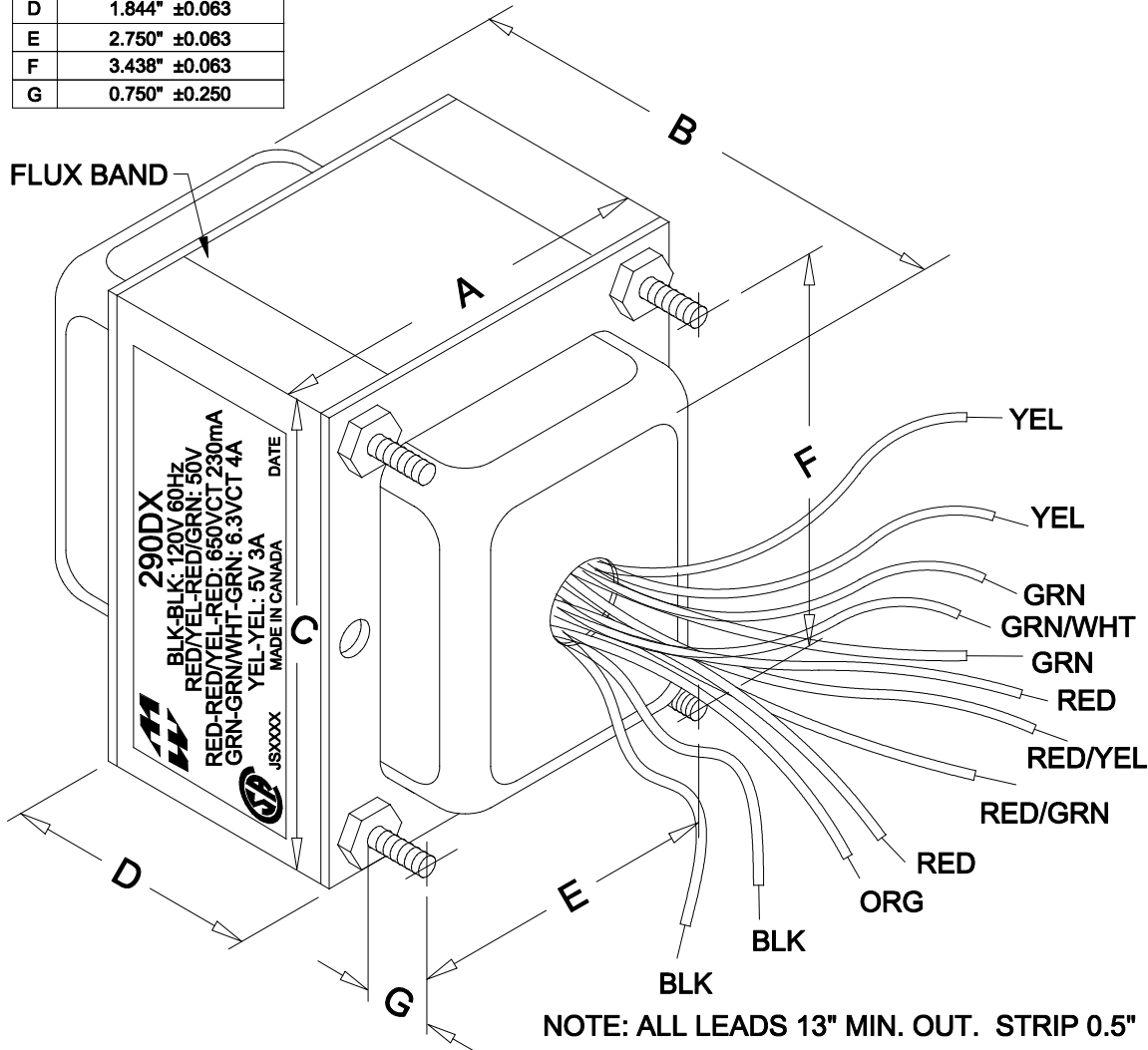


DIMENSIONS:

A	3.438 ±0.063
B	4.063" ±0.125
C	4.125" ±0.063
D	1.844" ±0.063
E	2.750" ±0.063
F	3.438" ±0.063
G	0.750" ±0.250



ELECTRICAL DATA:

TESTS	CONDITIONS	ACCEPTANCE CRITERIA	
lex	@ 120V, 60Hz, BLK - BLK	282mA	Max.
Sec. N.L.V	@ 120V, 60Hz, BLK - BLK		
	RED/GRN - RED/YEL =	53.01V	±2%
	RED - RED/YEL = RED/YEL - RED =	356.1V	±2%
	RED - RED =	712.3V	±2%
	YEL - YEL =	5.301V	±2%
	GRN - GRN/WHT = GRN/WHT - GRN =	3.373V	±2%
	GRN - GRN =	6.747V	±2%
DCR	@ 20°C, BLK - BLK =	1.262 Ω	±20%
	@ 20°C, RED - RED =	70.27 Ω	±20%
	@ 20°C, YEL - YEL =	0.071 Ω	±20%
	@ 20°C, GRN - GRN =	0.058 Ω	±20%
HIPOT	PRIMARY - SECONDARY	2500V, 60Hz, 1 SEC	

REV.#	REVISION	DATE
0	RELEASED.	C.I. 05/13/19

HAMMOND
MANUFACTURING™

ELECTRONIC DIVISION
 52 RANKIN PLACE,
 WATERLOO, ONTARIO, N2J 3Z5

PH # (519) 886-6181
 FAX # (519) 886-9540

DWG. BY: C. ILIE CHK'D BY:
 DATE: 05/13/19 APP'D. BY:
 DIMENSIONS: IN(X) MM()

TITLE: POWER TRANSFORMER

DWG. NO. 290DX