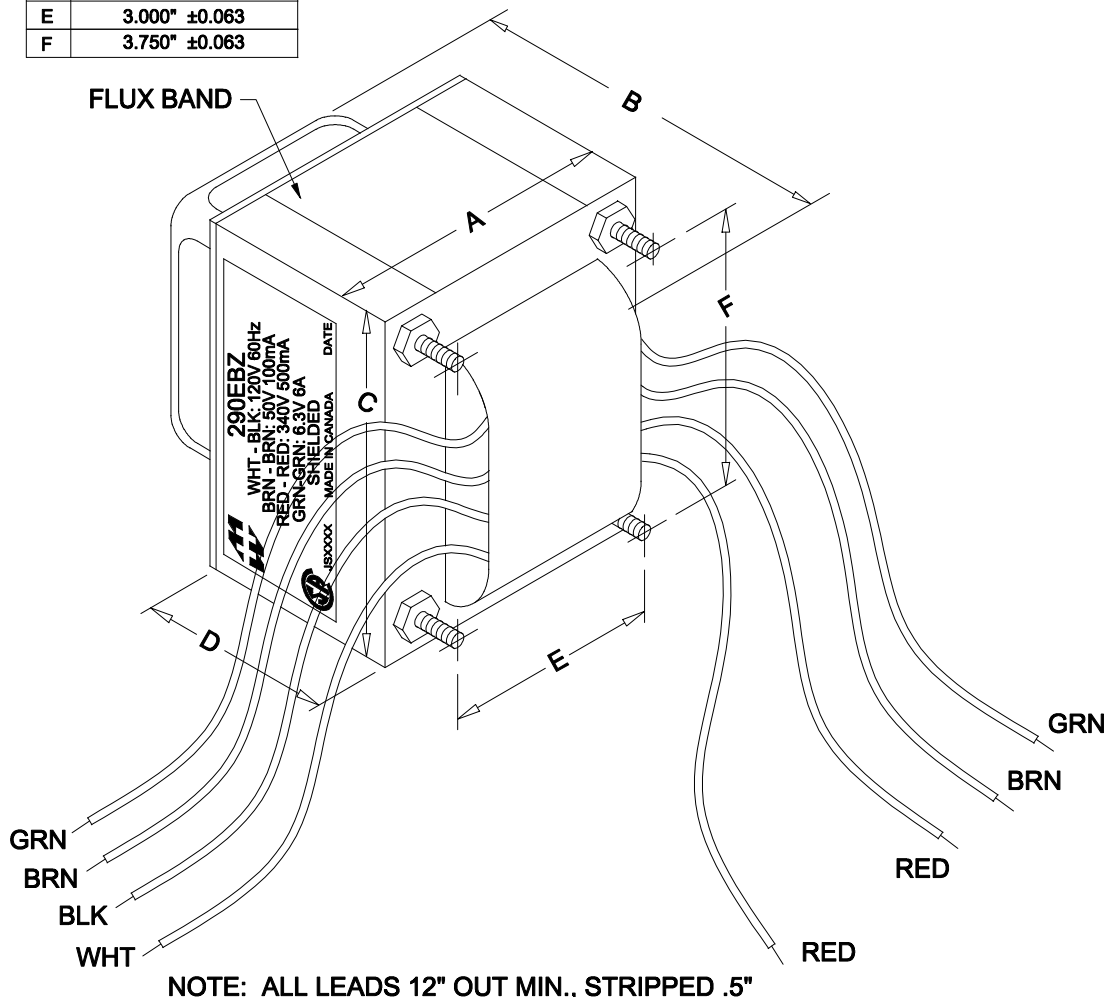
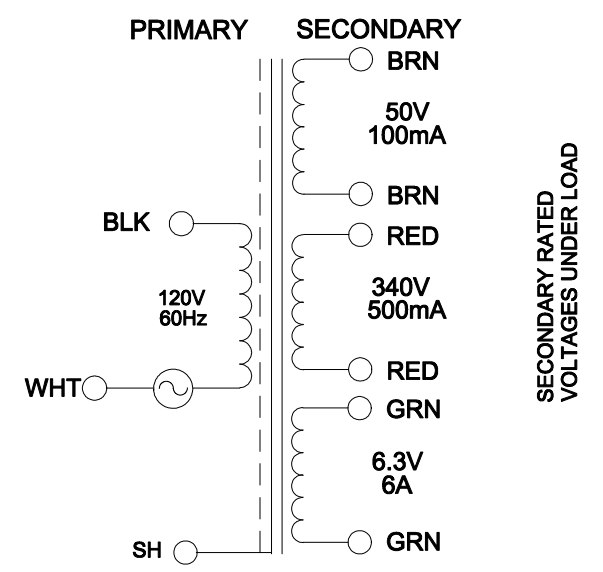


DIMENSIONS:	
A	3.750" ±0.063
B	4.186" ±0.125
C	4.500" ±0.063
D	2.030" ±0.063
E	3.000" ±0.063
F	3.750" ±0.063



NOTE: ALL LEADS 12" OUT MIN., STRIPPED .5"



ELECTRICAL DATA:		
TESTS	CONDITIONS	ACCEPTANCE CRITERIA
I _{ex}	@ 120V, 60Hz, WHT - BLK	385.2mA Max.
Sec. N.L.V	@ 120V, 60Hz, WHT - BLK	
	BRN - BRN =	51.86V ±2%
	RED - RED =	352.2V ±2%
	GRN - GRN =	6.633V ±2%
DCR	@ 20°C, WHT - BLK =	0.879 Ω ±20%
	@ 20°C, BRN - BRN =	8.569 Ω ±20%
	@ 20°C, RED - RED =	12.10 Ω ±20%
	@ 20°C, GRN - GRN =	0.019 Ω ±20%
HIPOT	PRIMARY - SECONDARY	2000V, 60Hz, 1 SEC

REV.#	REVISION	DATE
0	RELEASED. C.I.	05/09/17

HAMMOND MANUFACTURING™ ELECTRONIC DIVISION
 52 RANKIN PLACE, WATERLOO, ONTARIO, N2J 3Z5
 PH # (519) 886-6181 FAX # (519) 886-9540

DWG. BY: C. ILIE	CHK'D BY:	TITLE: POWER TRANSFORMER	DWG. NO. 290EBZ
DATE: 05/09/17	APP'D. BY:		
	DIMENSIONS: IN(X) MM()		