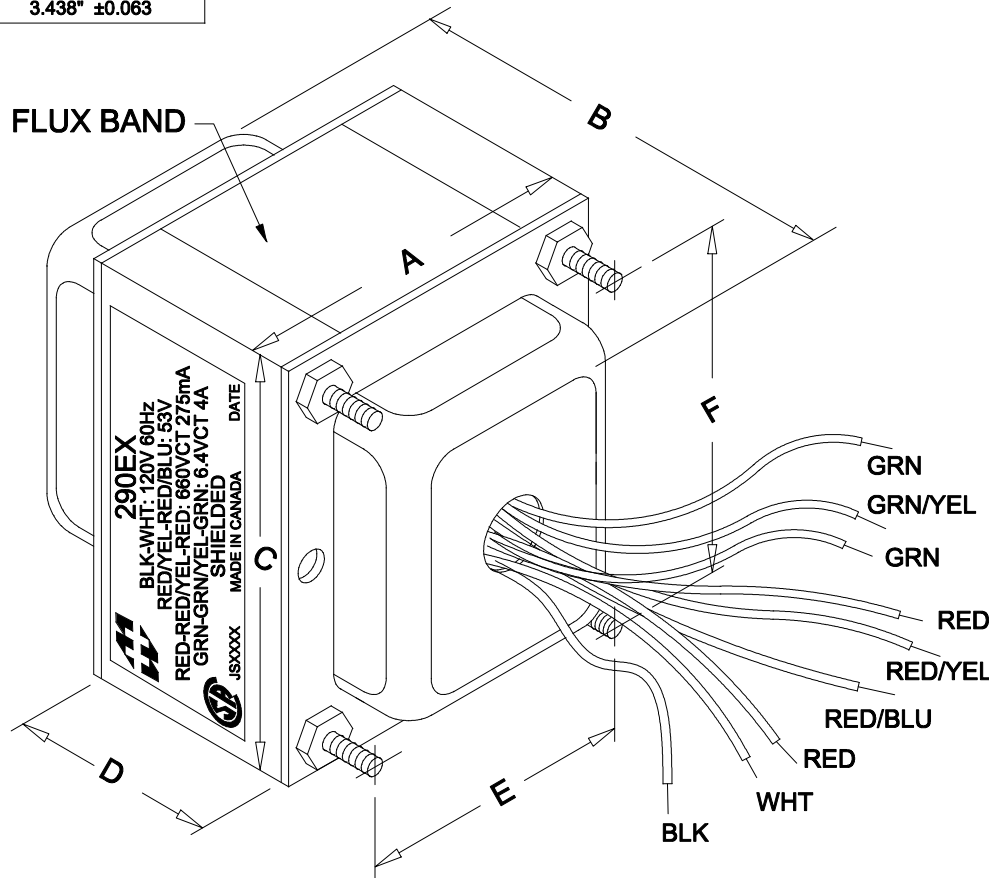
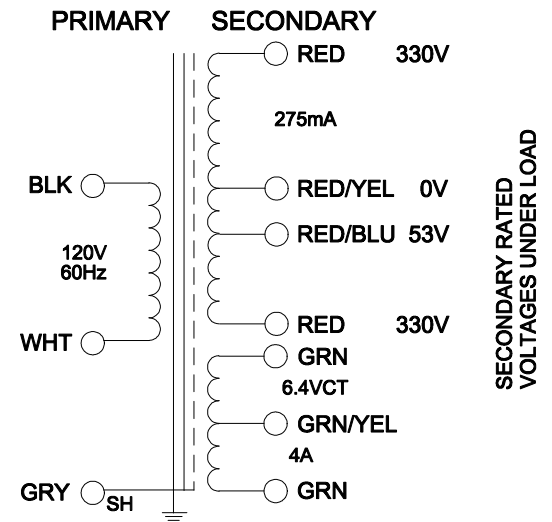


DIMENSIONS:	
A	3.438" ±0.063
B	3.938" ±0.125
C	4.125" ±0.063
D	1.810" ±0.063
E	2.750" ±0.063
F	3.438" ±0.063



NOTE: ALL LEADS 11" OUT MIN., STRIPPED .5"



ELECTRICAL DATA:		
TESTS	CONDITIONS	ACCEPTANCE CRITERIA
I _{ex}	@ 120V, 60Hz, BLK - WHT	700mA Max.
Sec. N.L.V	@ 120V, 60Hz, BLK - WHT	
	RED - RED/YEL = RED/YEL - RED =	343.1V ±2%
	RED/YEL - RED/BLU =	55.21V ±2%
	RED - RED =	686.2V ±2%
	GRN - GRN/YEL = GRN/YEL - GRN =	3.380V ±2%
	GRN - GRN =	6.761V ±2%
DCR	@ 20°C, BLK - WHT =	1.291 Ω ±20%
	@ 20°C, RED - RED/YEL =	17.14 Ω ±20%
	@ 20°C, RED/YEL - RED =	18.50 Ω ±20%
	@ 20°C, RED/YEL - RED/BLU =	2.877 Ω ±20%
	@ 20°C, GRN - GRN =	0.038 Ω ±20%
HIPOT	PRIMARY - SECONDARY	2500V, 60Hz, 1 SEC

REV.#	REVISION	DATE
0	RELEASED.	C.I. 05/30/18



ELECTRONIC DIVISION
52 RANKIN PLACE,
WATERLOO, ONTARIO, N2J 3Z5

PH # (519) 886-6181
FAX # (519) 886-9540

DWG. BY: C. ILIE
DATE: 05/30/18

CHK'D BY:
APP'D. BY:
DIMENSIONS: IN(X) MM()

TITLE: POWER
TRANSFORMER

DWG. NO.
290EX