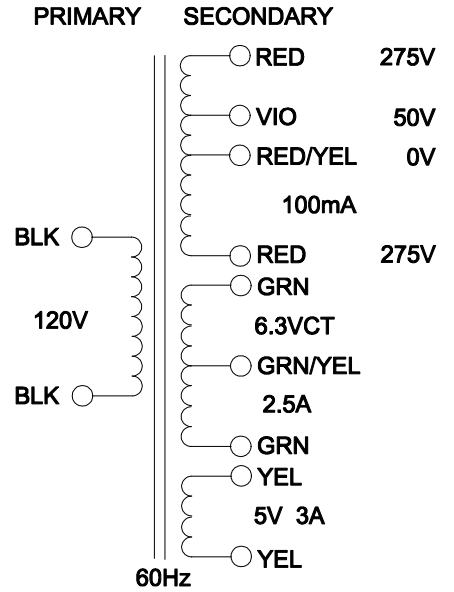
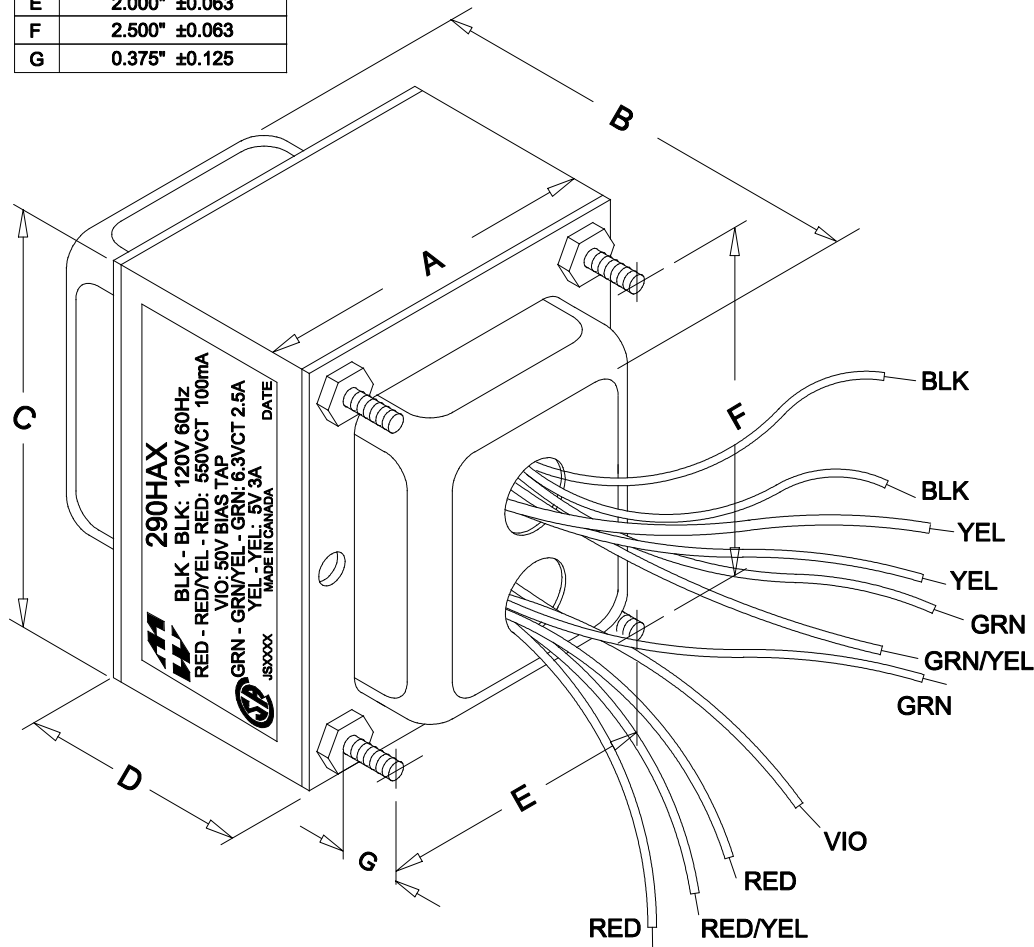


DIMENSIONS:	
A	2.500" ±0.063
B	2.817" ±0.125
C	3.000" ±0.063
D	1.310" ±0.063
E	2.000" ±0.063
F	2.500" ±0.063
G	0.375" ±0.125



NOTE: ALL LEADS 9" MIN. OUT. STRIP 0.5"

ELECTRICAL DATA:		
TESTS	CONDITIONS	ACCEPTANCE CRITERIA
lex	@ 120V, 60Hz, BLK - BLK	184mA Max.
Sec. N.L.V	@ 120V, 60Hz, BLK - BLK	
	RED - RED/YEL = RED/YEL - RED =	296.4V ±2%
	VIO - RED/YEL =	53.87V ±2%
	RED - RED =	592.9V ±2%
	GRN - GRN/YEL = GRN/YEL - GRN =	3.420V ±2%
	GRN - GRN =	6.841V ±2%
	YEL - YEL =	5.416V ±2%
DCR	@ 20°C, BLK - BLK =	3.927 Ω ±20%
	@ 20°C, RED - RED =	231.3 Ω ±20%
	@ 20°C, GRN - GRN =	0.089 Ω ±20%
	@ 20°C, YEL - YEL =	0.073 Ω ±20%
HIPOT	PRIMARY - SECONDARY	2500V, 60Hz, 1 SEC

REV.#	REVISION	DATE
0	RELEASED.	C.I. 10/22/18

HAMMOND ELECTRONIC DIVISION
MANUFACTURING 52 RANKIN PLACE, WATERLOO, ONTARIO, N2J 3Z5
 PH # (519) 886-6181 FAX # (519) 886-9540

DWG. BY: C. ILIE	CHK'D BY:	TITLE: POWER TRANSFORMER	DWG. NO. 290HAX
DATE: 10/22/18	APP'D. BY:		
	DIMENSIONS: IN(X) MM()		