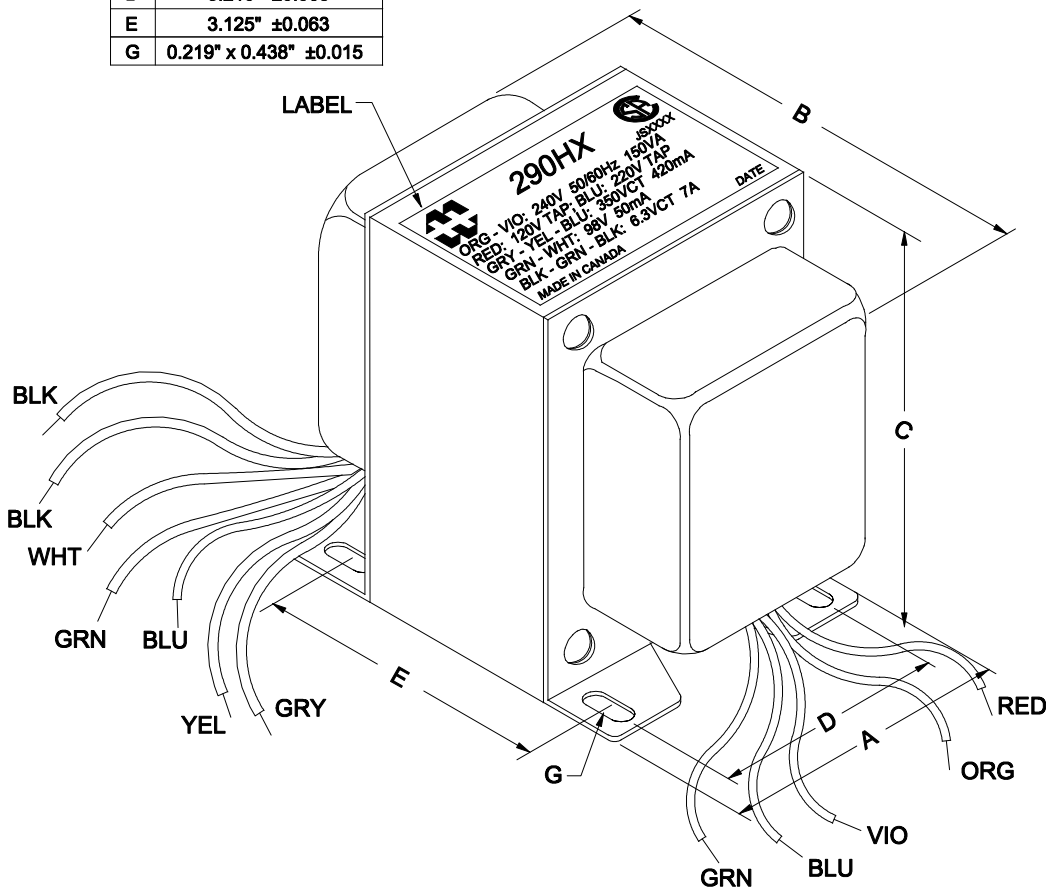
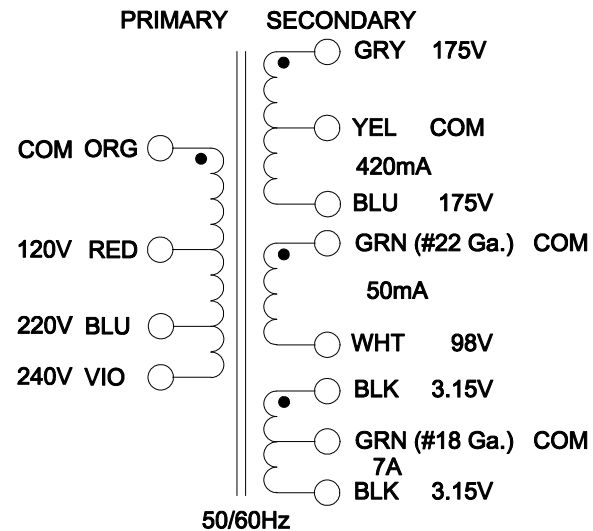


DIMENSIONS:	
A	3.750" ±0.063
B	4.195" ±0.125
C	4.531" ±0.063
D	3.210" ±0.063
E	3.125" ±0.063
G	0.219" x 0.438" ±0.015



NOTE: ALL LEADS 16" OUT MIN. STRIPPED 0.5"



ELECTRICAL DATA:		
TESTS	CONDITIONS	ACCEPTANCE CRITERIA
I _{ex}	@ 120V, 60Hz, ORG - RED	200mA Max.
Sec. N.L.V	@ 120V, 60Hz, ORG - RED	
	ORG - BLU (PRI.) =	221.4V ±2%
	ORG - VIO =	241.6V ±2%
	GRY - YEL = YEL - BLU (SEC.) =	185.2V ±2%
	GRY - BLU (SEC.) =	370.3V ±2%
	GRN (#22 Ga.) - WHT =	104.5V ±2%
	BLK - GRN (#18 Ga.) = GRN - BLK =	3.362V ±2%
	BLK - BLK =	6.724V ±2%
DCR	@ 20°C, ORG - VIO =	4.830 Ω ±20%
	@ 20°C, GRY - BLU (SEC.) =	21.08 Ω ±20%
	@ 20°C, GRN (#22 Ga.) - WHT =	52.17 Ω ±20%
	@ 20°C, BLK - BLK =	0.026 Ω ±20%
HIPOT	PRIMARY - SECONDARY	2500V, 60Hz, 1 SEC

REV.#	REVISION	DATE
0	RELEASED.	C.I. 09/18/18

HAMMOND ELECTRONIC DIVISION
MANUFACTURING™
 52 RANKIN PLACE, WATERLOO, ONTARIO, N2J 3Z5
 PH # (519) 886-6181 FAX # (519) 886-9540

DWG. BY: C. ILIE	CHK'D BY:	TITLE: POWER TRANSFORMER	DWG. NO. 290HX
DATE: 09/18/18	APP'D. BY:		
	DIMENSIONS: IN(X) MM()		