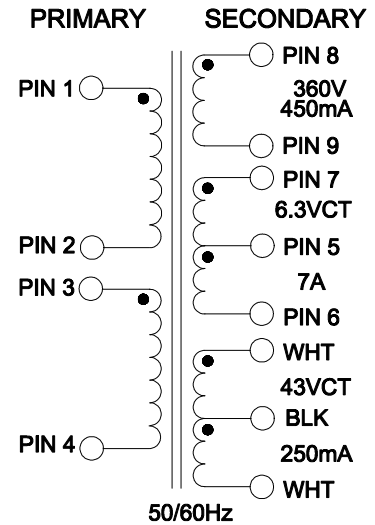
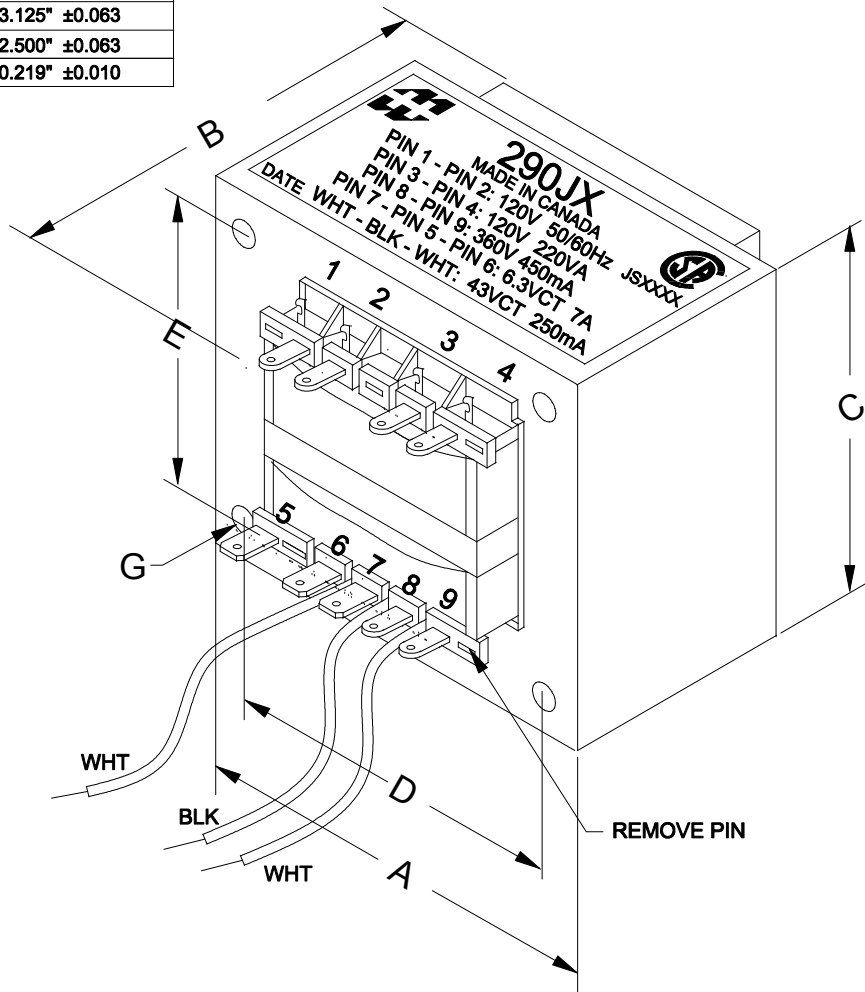


DIMENSIONS:	
A	3.750" ±0.063
B	3.980" ±0.063
C	3.125" ±0.063
D	3.125" ±0.063
E	2.500" ±0.063
G	0.219" ±0.010



NOTE: ALL LEADS 11.0" MIN. OUT. STRIP 0.5"

ELECTRICAL DATA:		
TESTS	CONDITIONS	ACCEPTANCE CRITERIA
lex	@ 120V, 60Hz, Pin 1 - Pin 2	200mA Max.
Sec. N.L.V	@ 120V, 60Hz, Pin 1 - Pin 2	
	Pin 3 - Pin 4 =	120.0V ±2%
	Pin 8 - Pin 9 =	374.6V ±2%
	Pin 7 - Pin 5 = Pin 5 - Pin 6 =	3.655V ±2%
	Pin 7 - Pin 6 =	7.310V ±2%
	WHT - BLK = BLK - WHT =	22.54V ±2%
	WHT - WHT =	45.08V ±2%
DCR	@ 20°C, Pin 1 - Pin 2 =	2.178 Ω ±20%
	@ 20°C, Pin 3 - Pin 4 =	2.488 Ω ±20%
	@ 20°C, Pin 5 - Pin 6 =	14.24 Ω ±20%
	@ 20°C, Pin 7 - Pin 9 =	0.025 Ω ±20%
	@ 20°C, WHT - WHT =	4.232 Ω ±20%
HIPOT	PRIMARY - SECONDARY	2500V, 60Hz, 1 SEC

REV.#	REVISION	DATE	HAMMOND ELECTRONIC DIVISION		52 RANKIN PLACE, WATERLOO, ONTARIO, N2J 3Z5		PH # (519) 886-6181
0	RELEASED.	C.I. 11/13/17	MANUFACTURING™				FAX # (519) 886-9540
			DWG. BY: C. ILIE	CHK'D BY:	TITLE: POWER TRANSFORMER	DWG. NO. 290JX	
			DATE: 11/13/17	APP'D. BY:			
				DIMENSIONS: IN(X) MM()			