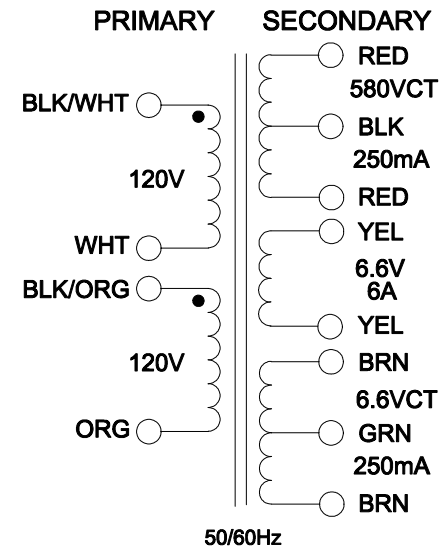
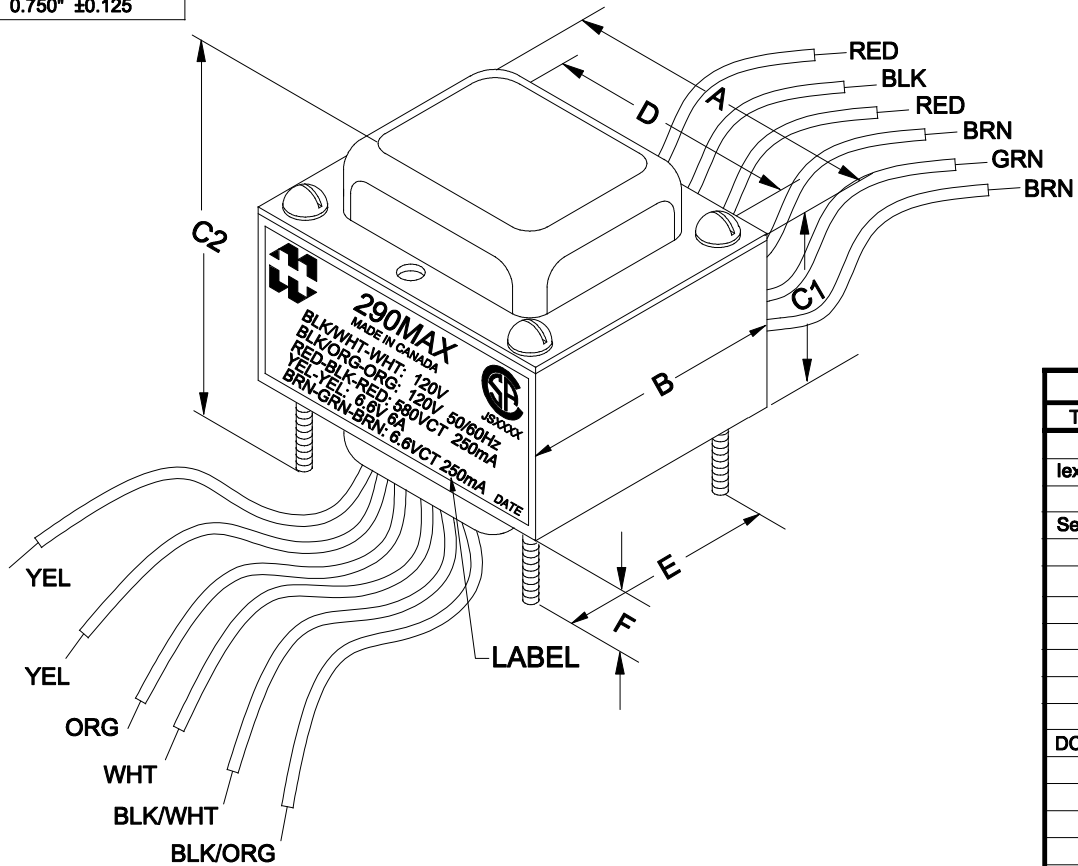


DIMENSIONS:	
A	3.750" ±0.063
B	3.125" ±0.063
C1	2.375" ±0.063
C2	3.900" ±0.125
D	3.125" ±0.063
E	2.500" ±0.063
G	0.750" ±0.125



ELECTRICAL DATA:		
TESTS	CONDITIONS	ACCEPTANCE CRITERIA
lex	@ 120V, 60Hz, BLK/WHT - WHT	158.4mA Max.
Sec. N.L.V	@ 120V, 60Hz, BLK/WHT - WHT	
	BLK/ORG - ORG =	120.0V ±2%
	RED - BLK = BLK - RED =	306.2V ±2%
	RED - RED =	612.4V ±2%
	YEL - YEL =	6.971V ±2%
	BRN - GRN = GRN - BRN =	3.485V ±2%
	BRN - BRN =	6.971V ±2%
DCR	@ 20°C, BLK/WHT - WHT =	3.271 Ω ±20%
	@ 20°C, BLK/ORG - ORG =	3.515 Ω ±20%
	@ 20°C, RED - RED =	62.85 Ω ±20%
	@ 20°C, YEL - YEL =	0.024 Ω ±20%
	@ 20°C, BRN - BRN =	0.795 Ω ±20%
HIPOT	PRIMARY - SECONDARY	2750V, 60Hz, 1 SEC

NOTE: ALL LEADS 12.0" MIN. OUT. STRIP 0.5"

REV.#	REVISION	DATE
0	RELEASED. C.I.	11/29/17

HAMMOND ELECTRONIC DIVISION
MANUFACTURING 52 RANKIN PLACE, WATERLOO, ONTARIO, N2J 3Z5
 PH # (519) 886-6181 FAX # (519) 886-9540

DWG. BY: C. ILIE CHK'D BY: TITLE: POWER TRANSFORMER
 DATE: 11/29/17 APP'D. BY: DIMENSIONS: IN(X) MM() DWG. NO. 290MAX