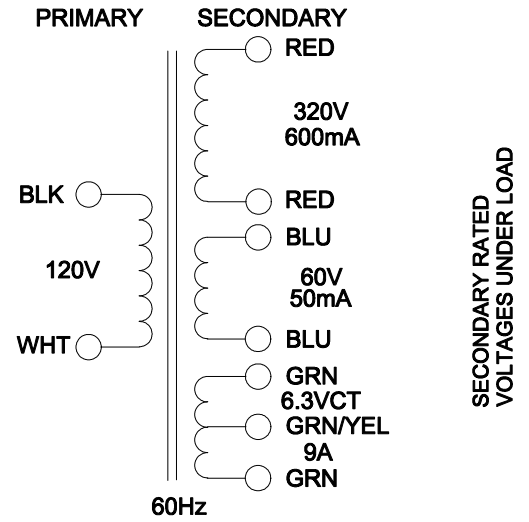
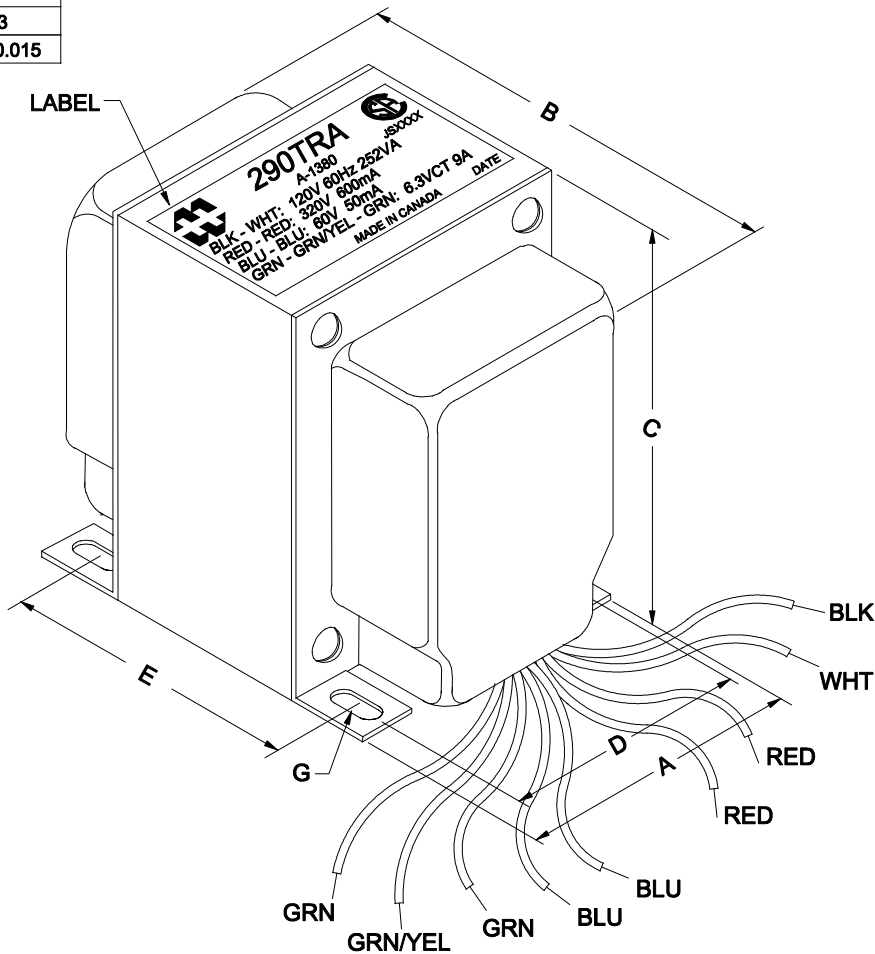


DIMENSIONS:	
A	3.750" ±0.063
B	4.935" ±0.125
C	4.530" ±0.063
D	3.000" ±0.063
E	3.813" ±0.063
G	0.203" x 0.375" ±0.015



NOTE: ALL LEADS 8" OUT MIN. STRIPPED 0.5"

ELECTRICAL DATA:		
TESTS	CONDITIONS	ACCEPTANCE CRITERIA
I <sub>ex</sub>	@ 120V, 60Hz, BLK - WHT	800mA Max.
Sec. N.L.V	@ 120V, 60Hz, BLK - WHT	
	RED - RED =	326.5V ±2%
	BLU - BLU =	61.22V ±2%
	GRN - GRN/YEL = GRN/YEL - GRN =	3.265V ±2%
	GRN - GRN =	6.531V ±2%
DCR	@ 20°C, BLK - WHT =	0.452 Ω ±20%
	@ 20°C, RED - RED =	5.646 Ω ±20%
	@ 20°C, BLU - BLU =	11.35 Ω ±20%
	@ 20°C, GRN - GRN =	0.008 Ω ±20%
HIPOT	PRIMARY - SECONDARY	3000V, 60Hz, 1 SEC

REV.#	REVISION	DATE	HAMMOND ELECTRONIC DIVISION		52 RANKIN PLACE, WATERLOO, ONTARIO, N2J 3Z5		PH # (519) 886-6181
0	RELEASED.	C.I. 05/23/19	MANUFACTURING™				FAX # (519) 886-9540
			DWG. BY: C. ILIE	CHK'D BY:	TITLE: POWER TRANSFORMER	DWG. NO. 290TRA	
			DATE: 05/23/19	APP'D. BY:			
				DIMENSIONS: IN(X) MM( )			