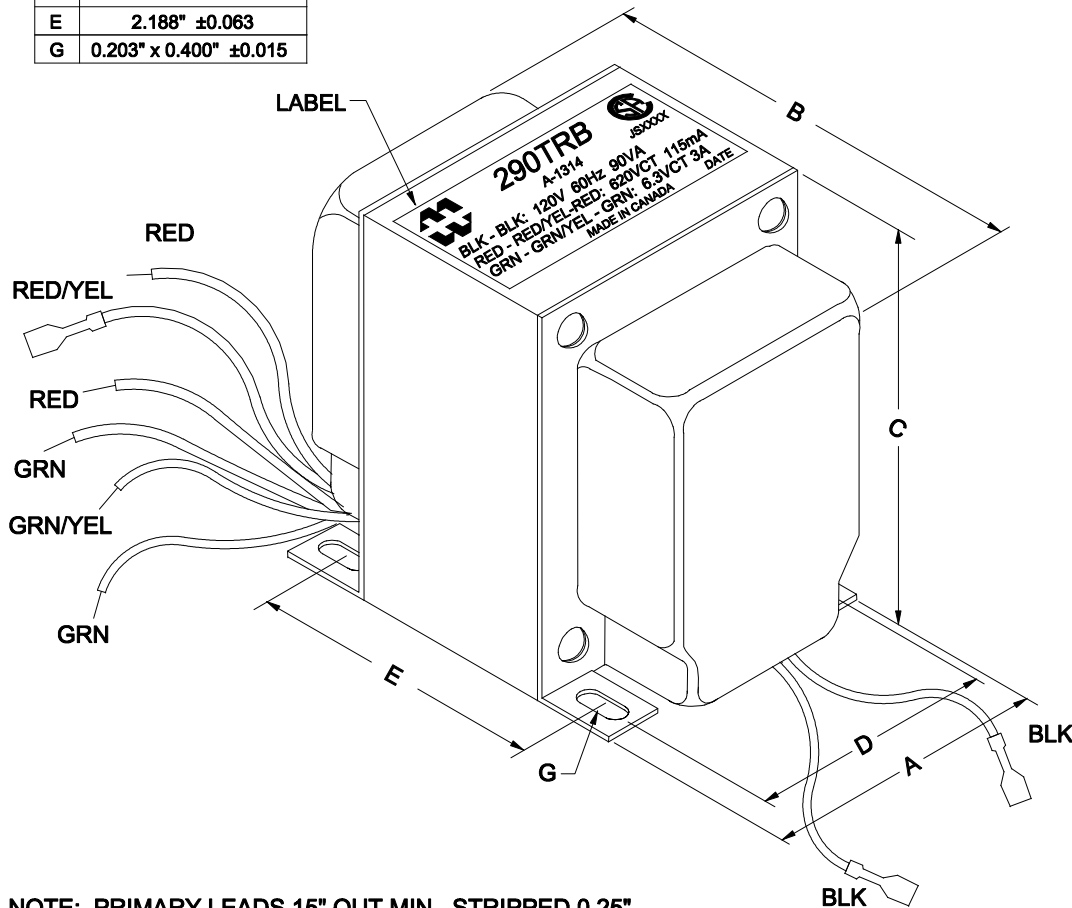
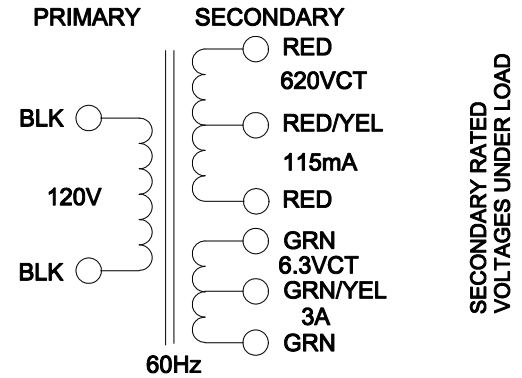


DIMENSIONS:	
A	3.125" ±0.063
B	3.436" ±0.125
C	3.796" ±0.063
D	2.500" ±0.063
E	2.188" ±0.063
G	0.203" x 0.400" ±0.015



NOTE: PRIMARY LEADS 15" OUT MIN. STRIPPED 0.25"
 SECONDARY LEADS 8 - 10" OUT MIN.
 RED/YEL LEAD TO BE 7" OUT MIN.



ELECTRICAL DATA:		
TESTS	CONDITIONS	ACCEPTANCE CRITERIA
lex	@ 120V, 60Hz, BLK - BLK	173mA Max.
Sec. N.L.V	@ 120V, 60Hz, BLK - BLK	
	RED - RED =	589.9V ±2%
	RED - RED/YEL = RED/YEL - RED =	294.9V ±2%
	GRN - GRN/YEL = GRN/YEL - GRN =	3.158V ±2%
	GRN - GRN =	6.316V ±2%
DCR	@ 20°C, BLK - BLK =	3.803 Ω ±20%
	@ 20°C, RED - RED =	109.5 Ω ±20%
	@ 20°C, GRN - GRN =	0.063 Ω ±20%
HIPOT	PRIMARY - SECONDARY	2500V, 60Hz, 1 SEC

REV.#	REVISION	DATE
0	RELEASED.	C.I. 05/23/19



ELECTRONIC DIVISION
 52 RANKIN PLACE,
 WATERLOO, ONTARIO, N2J 3Z5

PH # (519) 886-6181
 FAX # (519) 886-9540

DWG. BY: C. ILIE
 DATE: 05/23/19
 CHK'D BY:
 APP'D. BY:
 DIMENSIONS: IN(X) MM()

TITLE: POWER
 TRANSFORMER

DWG. NO.
 290TRB