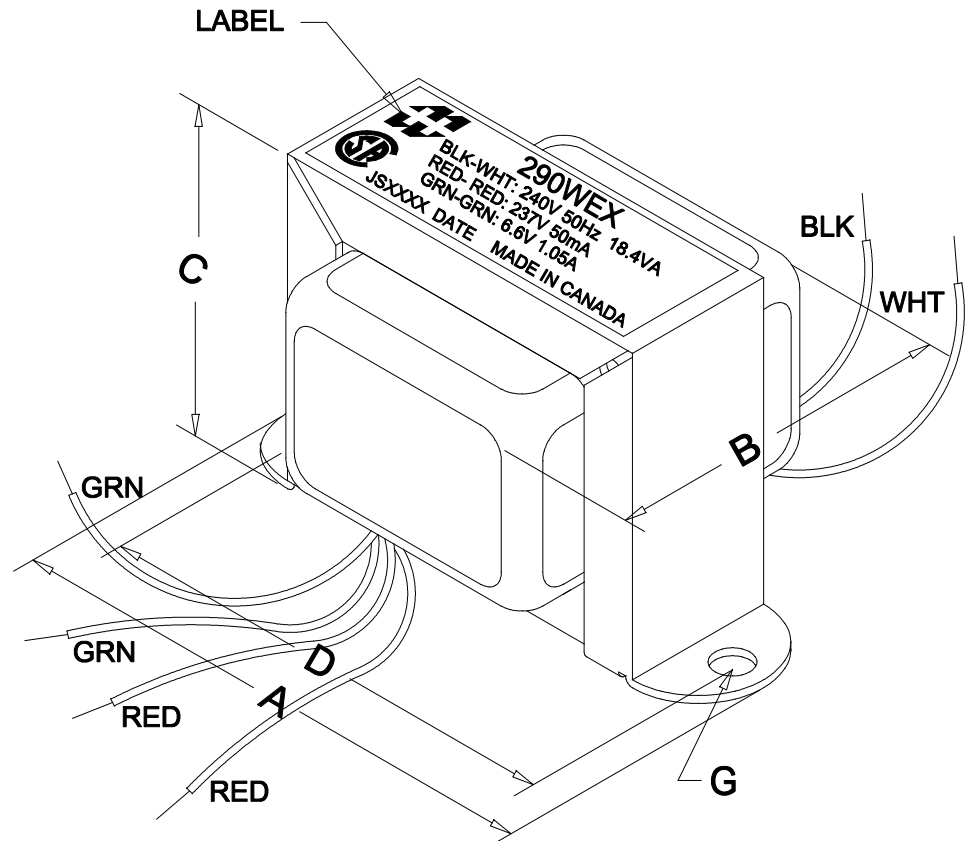
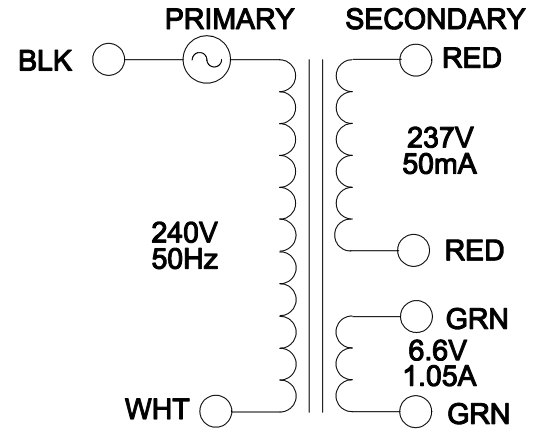


DIMENSIONS:	
A	3.250" ±0.063
B	2.360" ±0.125
C	1.995" ±0.063
D	2.813" ±0.063
G	0.187" ±0.015



NOTE: ALL LEADS 12.0" LONG MIN.

ELECTRICAL DATA:		
TESTS	CONDITIONS	ACCEPTANCE CRITERIA
Iex	@ 120V, 60Hz, BLK - WHT	198mA Max.
Sec. N.L.V	@ 120V, 60Hz, BLK - WHT	
	RED - RED =	258.6V ±2%
	GRN - GRN =	7.044V ±2%
DCR	@ 20°C, BLK - WHT =	92.10 Ω ±20%
	@ 20°C, RED - RED =	185.4 Ω ±20%
	@ 20°C, GRN - GRN =	0.240 Ω ±20%
HIPOT	PRIMARY - SECONDARY	2500V, 60Hz, 1 SEC

REV.#	REVISION	DATE	HAMMOND ELECTRONIC DIVISION		PH # (519) 886-6181 FAX # (519) 886-9540
0	RELEASED.	01/23/13	52 RANKIN PLACE, WATERLOO, ONTARIO, N2J 3Z5		
			DWG. BY: D.Hutt	CHK'D BY:	TITLE: 290WEX TRANSFORMER
			DATE: 01/23/13	APP'D. BY:	
				DIMENSIONS: IN(X) MM()	DWG. NO. 290WEX