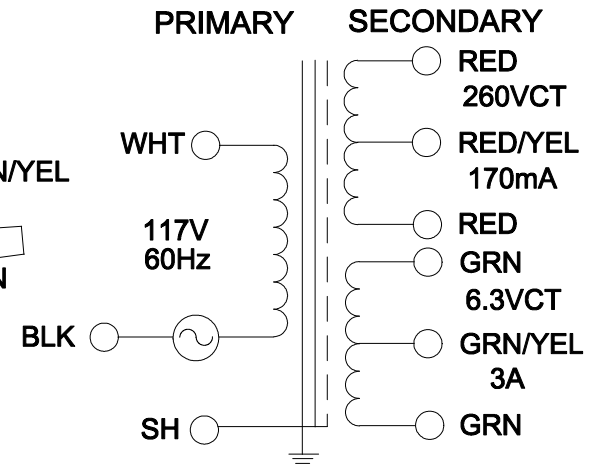
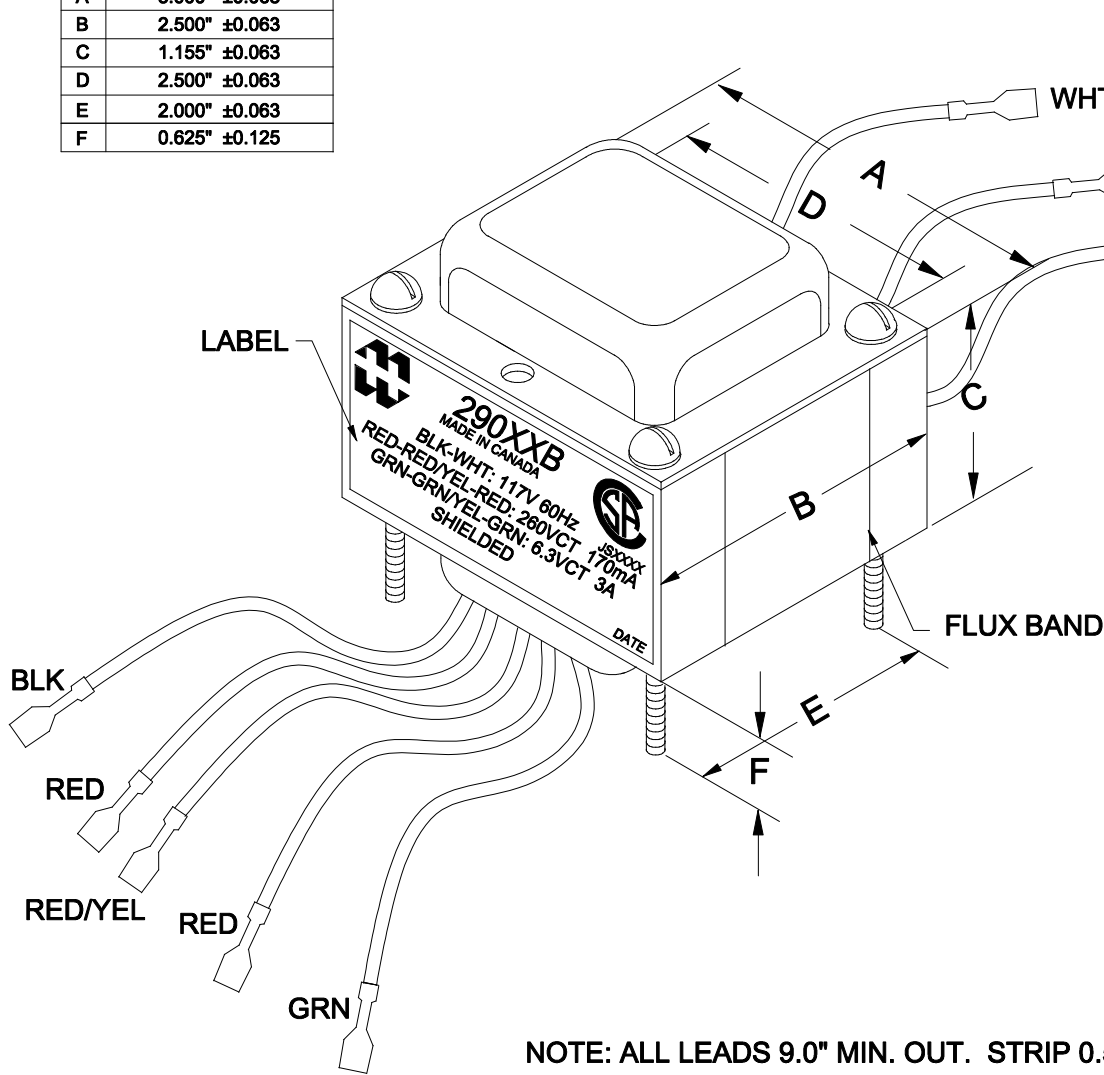


DIMENSIONS:	
A	3.000" ±0.063
B	2.500" ±0.063
C	1.155" ±0.063
D	2.500" ±0.063
E	2.000" ±0.063
F	0.625" ±0.125



ELECTRICAL DATA:		
TESTS	CONDITIONS	ACCEPTANCE CRITERIA
lex	@ 117V, 60Hz, BLK - WHT	240mA Max.
Sec. N.L.V	@ 117V, 60Hz, BLK - WHT	
	RED - RED =	277.8V ±2%
	RED - RED/YEL = RED/YEL - RED =	138.9V ±2%
	GRN - GRN =	6.867V ±2%
	GRN - GRN/YEL = GRN/YEL - GRN =	3.433V ±2%
DCR	@ 20°C, BLK - WHT =	6.010 Ω ±20%
	@ 20°C, RED - RED =	45.63 Ω ±20%
	@ 20°C, GRN - GRN =	0.061 Ω ±20%
HIPOT	PRIMARY - SECONDARY	2500V, 60Hz, 1 SEC

NOTE: ALL LEADS 9.0" MIN. OUT. STRIP 0.5"

REV.#	REVISION	DATE
0	RELEASED.	C.I. 04/12/19

HAMMOND MANUFACTURING™ ELECTRONIC DIVISION
 52 RANKIN PLACE, WATERLOO, ONTARIO, N2J 3Z5
 PH # (519) 886-6181 FAX # (519) 886-9540

DWG. BY: C. ILIE	CHK'D BY:	TITLE: POWER TRANSFORMER	DWG. NO. 290XXB
DATE: 04/12/19	APP'D. BY:		
	DIMENSIONS: IN(X) MM()		