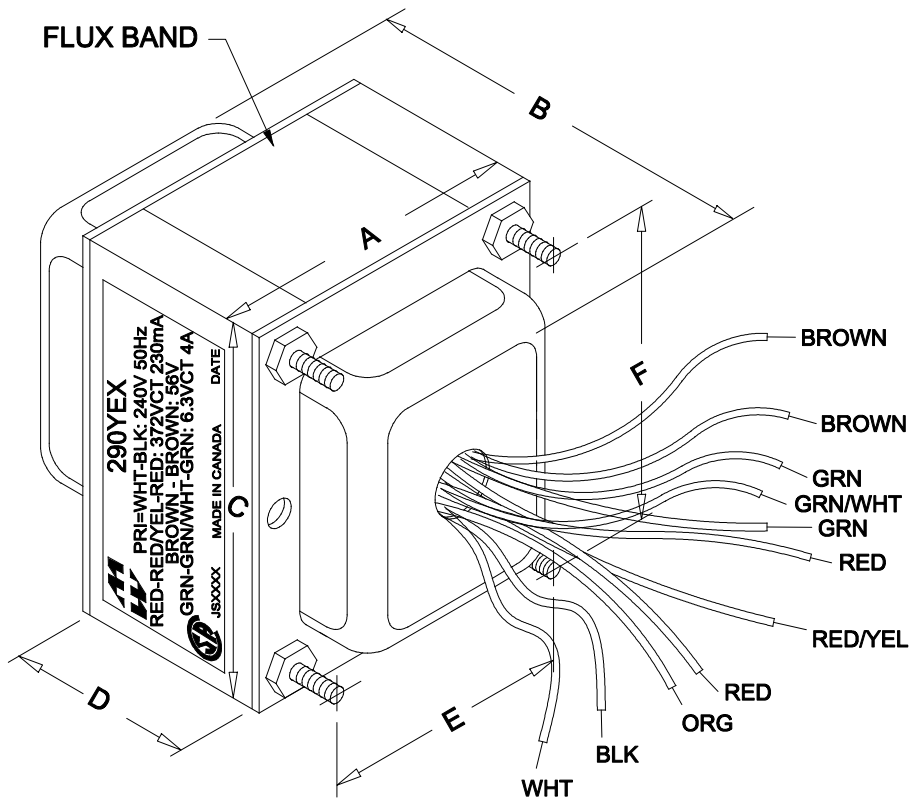
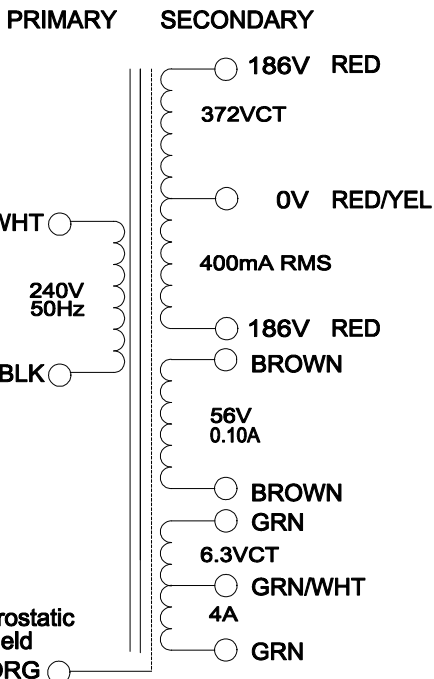


290YEX



NOTE: ALL LEADS 13" OUT MIN., STRIPPED .5"



DIMENSIONS:

A	3.438" ±0.063
B	5.100" ±0.125
C	4.125" ±0.063
D	2.750" ±0.063
E	2.750" ±0.063
F	3.438" ±0.063

FENDER 75 WATT LEAD AMP.

ELECTRICAL DATA:

Turns ratio:	1 : 1.55 (RED - RED)	
Exciting Current	@ 240V, 50Hz, WHT - BLK = 250mA	Max.
DCR	@ 20C, WHT - BLK = 3.66 Ω	±20%
	@ 20C, RED - RED = 13.10 Ω	±20%
	@ 20C, BRN - BRN = 2.00 Ω	±20%
DCR	@ 20C, GRN - GRN = 0.030 Ω	±20%
	Pri. Voltage 240V 50Hz	
Sec. Voltage (RMS)	372VCT @ 400mA , 56V @ 0.10A / 6.3VCT @ 4A	
No Load Voltage	382.68VCT/ 56.50V / 6.58V	

HAMMOND ELECTRONICS

52 RANKIN PLACE,
 WATERLOO, ONTARIO, N2L 3Z5.
 PHONE (519) 886-6181
 FAX # (519) 886-9540

TITLE				290YEX			
				DR BY	D.Hutt		
1	09/12/12	Released		DATE	09/12/12		
NO	DATE	REVISION		DIM IN(X)MM()			

290YEX