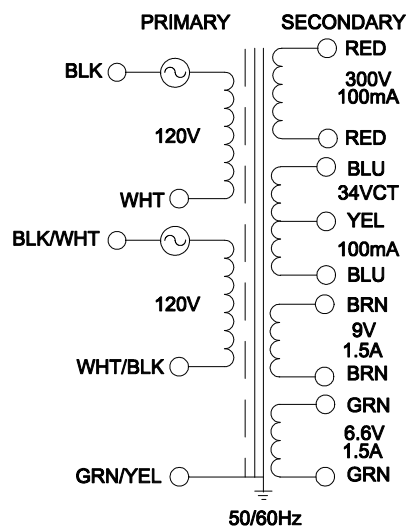
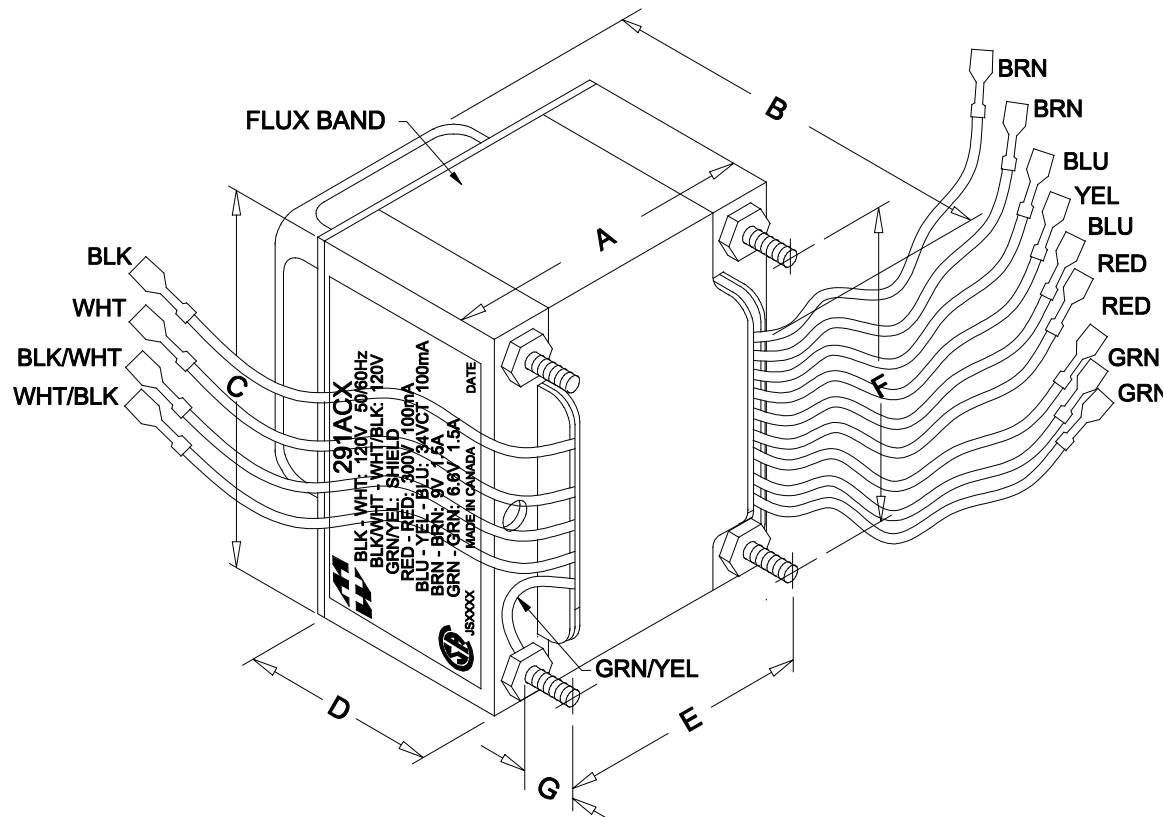


DIMENSIONS:	
A	2.500" ±0.063
B	2.900" ±0.125
C	3.000" ±0.063
D	1.250" ±0.063
E	2.000" ±0.063
F	2.500" ±0.063
G	0.550" ±0.125



ELECTRICAL DATA:		
TESTS	CONDITIONS	ACCEPTANCE CRITERIA
lex	@ 120V, 60Hz, BLK - WHT	131mA Max.
Sec. N.L.V	@ 120V, 60Hz, BLK - WHT	
	BLK/WHT - WHT/BLK =	120.0V ±2%
	RED - RED =	321.3V ±2%
	BLU - YEL = YEL - BLU =	18.28V ±2%
	BLU - BLU =	36.56V ±2%
	BRN - BRN =	9.801V ±2%
	GRN - GRN =	7.152V ±2%
DCR	@ 20°C, BLK - WHT =	12.53 Ω ±20%
	@ 20°C, BLK/WHT - WHT/BLK =	13.57 Ω ±20%
	@ 20°C, RED - RED =	101.1 Ω ±20%
	@ 20°C, BLU - BLU =	12.08 Ω ±20%
	@ 20°C, BRN - BRN =	0.260 Ω ±20%
	@ 20°C, GRN - GRN =	0.156 Ω ±20%
HIPOT	PRIMARY - SECONDARY	2000V, 60Hz, 1 SEC

NOTE: ALL LEADS TERMINATED WITH FAST-ON TERMINALS ARE 12" MIN. OUT.

REV.#	REVISION	DATE
0	RELEASED.	C.I. 02/21/18

**HAMMOND ELECTRONIC DIVISION**  
**MANUFACTURING**  
 52 RANKIN PLACE,  
 WATERLOO, ONTARIO, N2J 3Z5  
 PH # (519) 886-6181  
 FAX # (519) 886-9540

DWG. BY: C. ILIE  
 DATE: 02/21/18

CHK'D BY:  
 APP'D. BY:  
 DIMENSIONS: IN(X) MM( )

TITLE: POWER TRANSFORMER

DWG. NO. 291ACX