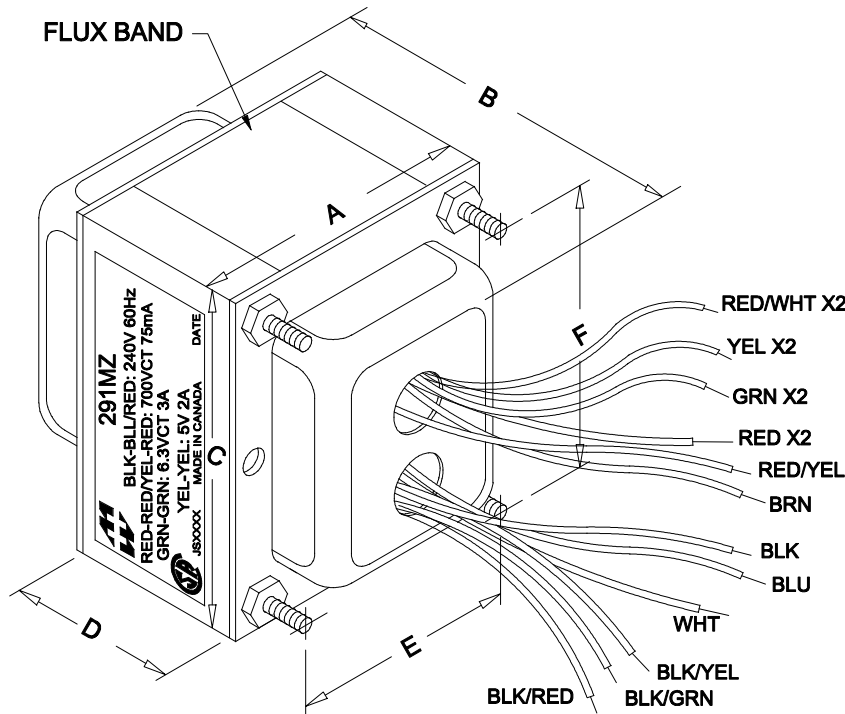
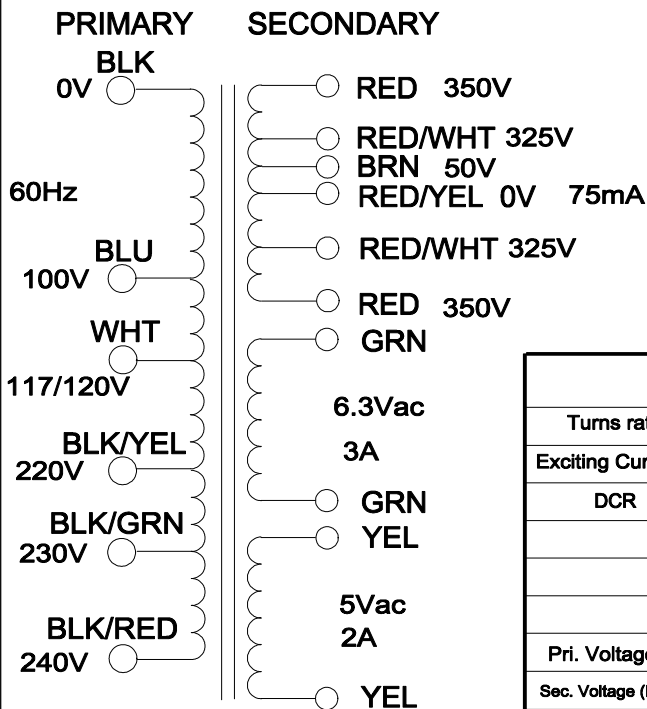


291MZ



DIMENSIONS:	
A	2.500" ±0.063
B	2.817" ±0.063
C	3.000" ±0.063
D	1.25" ±0.063
E	2.000" ±0.063
F	2.500" ±0.063

NOTE: ALL LEADS 9" OUT MIN., STRIPPED .5"



ELECTRICAL DATA:	
Turns ratio:	1 (BLK-BLK/RED) : 3.11 (RED - RED)
Exciting Current	@ 120V, 60Hz, BLK - WHT = 220mA Max.
DCR	@ 20C, BLK - BLK/RED = 17.660 Ω ±20%
	@ 20C, RED - RED = 316.0 Ω ±20%
	@ 20C, GRN - GRN = 0.0750 Ω ±20%
	@ 20C, YEL - YEL = 0.099 Ω ±20%
Pri. Voltage	100,120,220,230,240V 60Hz
Sec. Voltage (RMS)	700VCT or 650VCT @ 75mA / 6.3VCT , @ 3A / 5V @ 2A
No Load Voltage	748.3VCT or 695.0VCT/ 6.74V / 5.39V



**HAMMOND
ELECTRONICS**

52 RANKIN PLACE,
WATERLOO, ONTARIO, N2L 3Z5.
PHONE (519) 886-6181
FAX # (519) 886-9540

TITLE POWER TRANSFORMER

NO	DATE	REVISION	DIM IN(X)MM()
1	02/09/21	Added HV taps	DR BY D.Hutt
0	01/27/21	PRELIMINARY.	DATE 01/27/21

291MZ